



# UC-251 UC-251S

## Frozen Drink Machine Counter Model



This frozen drink machine can do it all – make delicious shakes, slush, smoothies, and frozen cocktails! Use a neutral base with concentrated syrup flavorings for unlimited flavor selection, or specialize in a single flavor for more uniformity and faster dispensing. An optional spindle mixer can be mounted on the freezer to blend in fruits and flavorings. Whether it's signature milk shakes, frozen lemonade, apple cider, or an exotic cocktail, you will create a great deal of interest and fun, while earning big profits.

### Features Include:

- Hard-O-Matic consistency control
- Non-frosting, clear molded dispensing head that provides a visually appealing and colorful display
- Low mix warning light
- Designed for fast frezedown and quick recovery
- Decal for slush or shake available



Carpigiani-USA manufactures a complete line of ice cream production equipment: Batch Freezers, Soft Serve Freezers, Yogurt Freezers, Slush Freezers, Milk Shake Machines, Whipped Topping Dispensers, Granita Machines, Frozen Custard Freezers, Mix Processing Equipment and Display Cabinets...

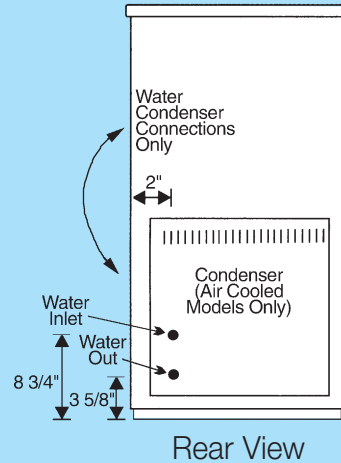
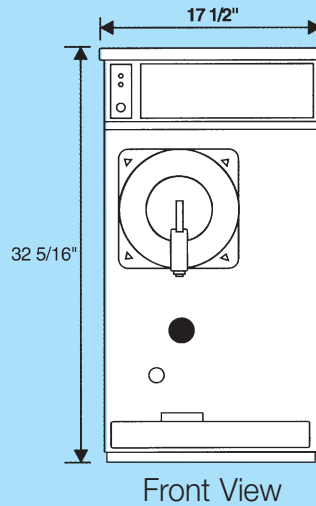
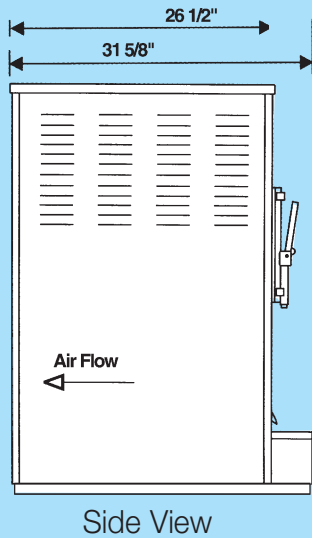
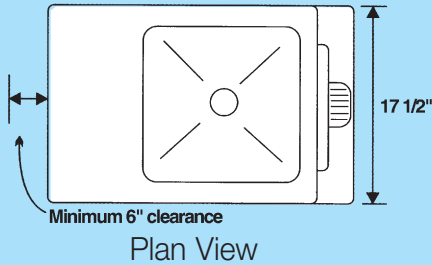
*Something for everyone!*

# SPECIFICATIONS

## MODEL UC-251 & MODEL UC-251S



Counter model frozen drink/shake machine.  
Designed for medium to high volume applications.



### Model UC-251 & UC-251S Description:

Mix Tank Capacity \_\_\_\_\_ 18 qts.  
 Mix Tank Refrigeration Control \_\_\_\_\_ Thermostat  
 Cylinder Refrigeration Control System \_\_\_\_\_ Hard-O-Matic  
 Cylinder Type \_\_\_\_\_ High Efficiency Wrapped  
 Cylinder Capacity (w/beater) \_\_\_\_\_ 9 qts.  
 Refrigerant Type \_\_\_\_\_ R-404A  
 Beater Construction \_\_\_\_\_ Stainless Steel w/Plastic Scraper  
 Beater Drive Motor \_\_\_\_\_ 0.50 H.P.  
 Compressor Motor \_\_\_\_\_ 1.67 H.P.  
 Condenser Cooling \_\_\_\_\_ Air or Water  
 Frame Construction \_\_\_\_\_ Welded Steel  
 Frame Type \_\_\_\_\_ Counter Model  
 Outer Panels \_\_\_\_\_ Stainless Steel  
 Width \_\_\_\_\_ 17.5 inches (445 mm)  
 Depth \_\_\_\_\_ 31.6 inches (803 mm)  
 Height \_\_\_\_\_ 32.3 inches (820 mm)  
 Supply and Drain Lines Diameter \_\_\_\_\_ .75 inches (19 mm)

Net Weight \_\_\_\_\_ 260 lbs. (118 kg)  
 Gross Weight \_\_\_\_\_ 285 lbs. (130 kg)

### UC-251S

Overrun Range \_\_\_\_\_ Up to 50%\*

### Electrical Requirements (UC-251 & UC-251S)

Single Phase, 60 Hz \_\_\_\_\_ 115 V  
 Max Breaker/Fuse Size \_\_\_\_\_ 30 Amps

### Optional Accessories

- Panel mount mixer motor
- Adjustable legs
- Auto Mix Tank Fill (Non-dairy only)

\*Applies to shake and similar products



800-648-4389 • 336-661-9893 • Fax: 336-661-9895  
 P.O. Box 4069 • Winston-Salem, NC 27115  
 www.carpigiani-usa.com • info@carpigiani-usa.com

Distributed by:

All technical data, pictures, and drawings contained in this document are not binding on the manufacturer, nor can the manufacturer be held liable for any modification of the machine in part or completely.