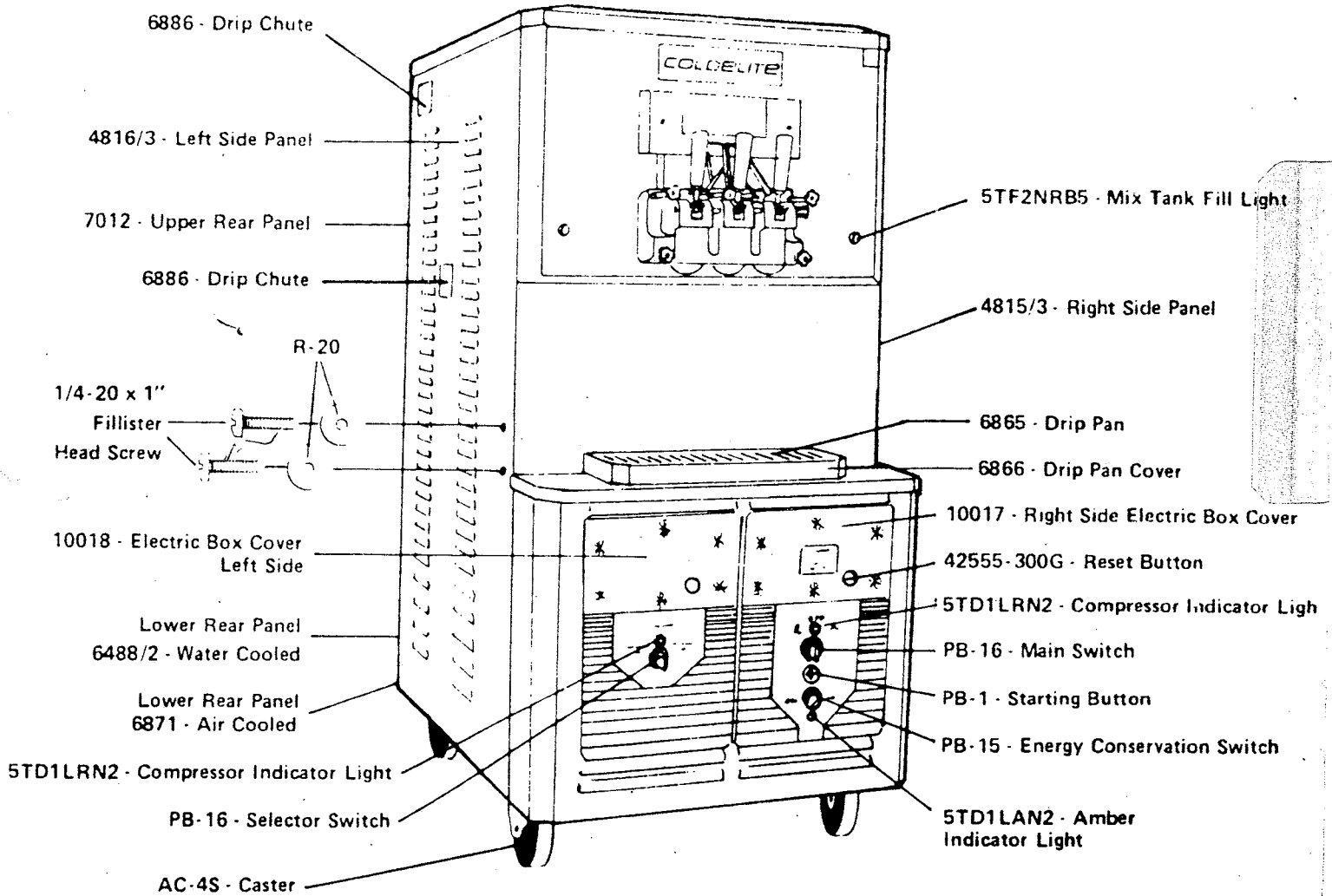
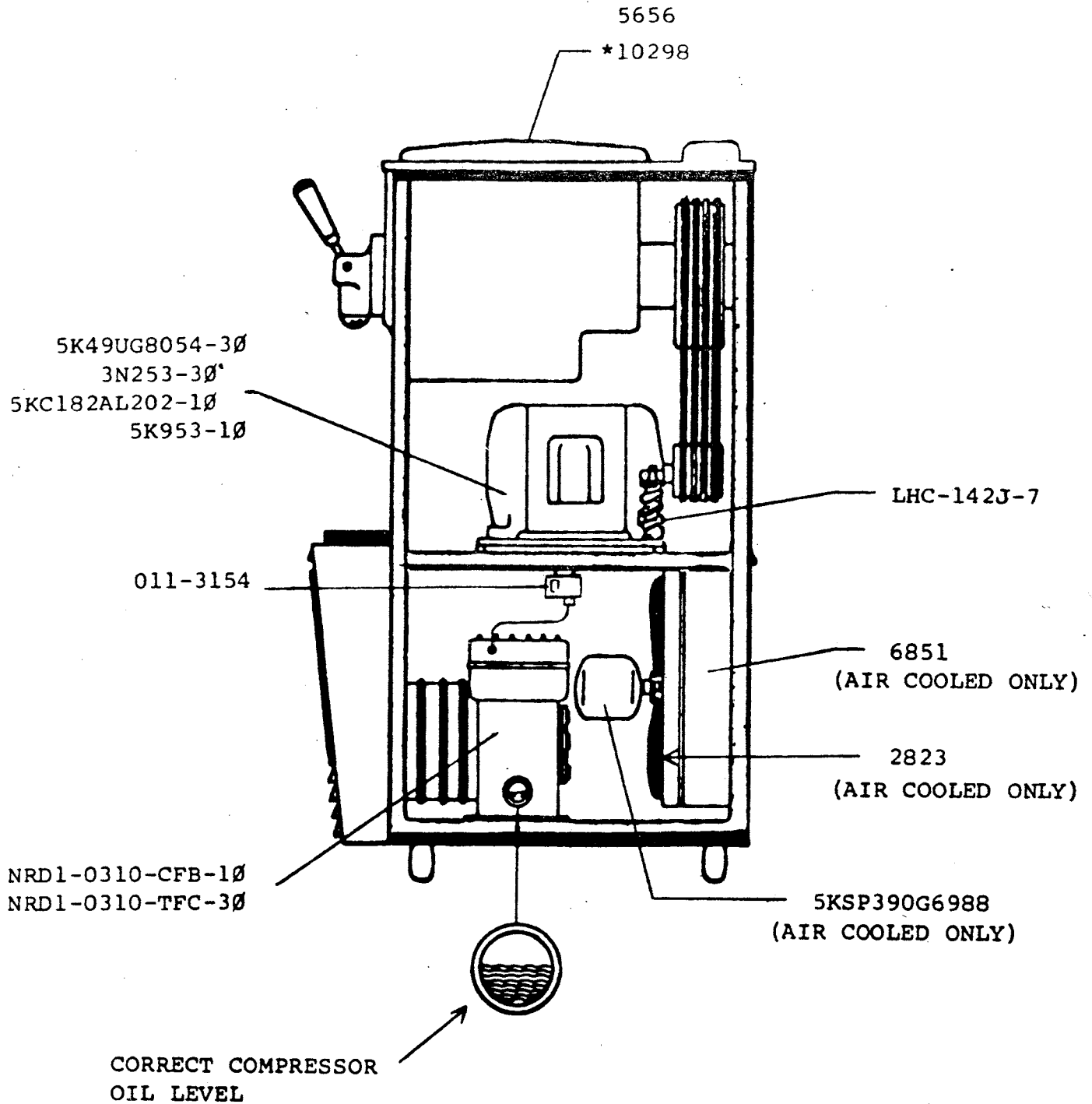


COLDDELITE®



Soft Serve
UF-832
Super 2

FIGURE 1



NOTE:

*- Machines with serial no. 321200 and up only

COLDELITE
CORPORATION OF AMERICA

COLDELITE BLDG. • ROBINSON RD. AT ROUTE 17 SOUTH • LODI, N. J. 07644

SERVICE MANUAL

MODEL UF 832T

SPARE PARTS - Continued

-2-

MECHANICAL:

<u>Part No.</u>	<u>Description</u>	<u>Code No.</u>
3605.....	Stud/Clutch Spring.....	1 622 020
*3654.....	Pulley (belt tension).....	1 610 220
*3682.....	Bracket (belt tension).....	1 610 150
4276.....	Spring (belt tension).....	1 610 080
4371.....	Clutch Spring.....	1 622 140
4455.....	Gear-Pump Drive	1 633 180
4457.....	Gear-Pump Idler.....	1 633 270
4501/2.....	Legs.....	1 990 070
4502.....	Retaining Knob (long).....	1 654 220
4504.....	Retaining Knob (short).....	1 654 230
4722.....	Lower Gear Box Housing - Left Side.....	1 611 130
4723.....	Upper Gear Box Housing - Left Side.....	1 611 260
4744.....	Threaded Collar (mix pump pulley assembly).....	1 630 170
4765/1.....	Seal Housing (gear box).....	1 615 280
4766.....	Driven Gear (gear box).....	1 614 190
4767.....	Driven Gear Shaft (gear box).....	1 613 240
4768.....	Drive Gear (gear box).....	1 614 010
4769/1.....	Drive Gear Shaft (gear box).....	1 613 030
4770.....	Pin-Key (gear box housing).....	1 612 320
4782.....	Clutch Drive Disc.....	1 620 150
4786.....	Clutch Driven Disc	1 620 030
4795.....	Nylon Pin (front Micro assembly).....	1 680 080
4815/3.....	Right Side Panel - Stainless Steel.....	2 105 010
4816/3.....	Left Side Panel - Stainless Steel.....	2 104 010
*4824.....	Pin-Key (gear box housing).....	1 612 310
4829.....	Spring Base Cover.....	1 621 240
4877.....	Front Drain (optional).....	1 775 030
4884.....	Adjusting Screw (front Micro).....	1 680 030
4896.....	Drive Gear (reversing assembly).....	1 623 080
4897.....	Driven Gear (reversing assembly).....	1 623 130
4911.....	Cam-Piston Actuating.....	1 653 020
4912/2.....	Gear Housing (reversing assembly).....	1 623 020
4913.....	Housing Retaining Bolt (front Micro).....	1 680 070
5017.....	Rubber Cup (ref. p.n.4877).....	1 775 020
5059.....	Fly Wheel	1 618 040
5070/3.....	Pulley - 3 Phase Models.....	2 114 010
5075.....	Belt Drive Pulley (reversing assembly).....	1 623 260
5151.....	Spring (rear Micro).....	1 625 130
5086.....	Bearing Fastening Plate.....	1 623 320
5152/2.....	Spring (rear Micro adjusting).....	1 625 140
5157.....	Bracket - Micro Switch (rear).....	1 625 040
5350.....	Hub-Pump.....	1 630 010
5358.....	Hub Pin/Key.....	1 630 330
5367.....	Suction Tube.....	1 635 020

NOTE: * Parts for machines with serial no. 321200 and up ONLY

SPARE PARTS - Continued

-3-

MECHANICAL:

<u>Part No.</u>	<u>Description</u>	<u>Code No.</u>
5377.....	Relief Valve.....	1 411 020
5378.....	Relief Spring (18 P.S.I.).....	1 635 260
5433.....	Pump Drive Pulley.....	1 631 210
5434.....	Pulley Drive Key.....	1 631 100
5435.....	Spacer.....	1 630 300
5436.....	Bearing Seal.....	1 631 010
5612.....	Bracket - Micro Switch (rear).....	1 625 050
5656.....	Cover - Mix Tank.....	1 750 140
6343.....	Hot Water Inlet Fitting.....	2 111 060
6364.....	Front Micro Switch Housing - S/S.....	1 680 050
6366.....	Shaft (actuating lever).....	1 680 040
6367.....	Micro Switch Actuating Lever.....	1 680 020
6368/2.....	Lever Connecting Arm (left).....	1 680 170
6370.....	Motor Mount.....	2 103 010
6437.....	Lower Gear Box Housing - Right Side.....	1 611 150
6438.....	Upper Gear Box Housing - Right Side.....	1 611 280
6450.....	Pulley - Single Phase Models.....	2 114 020
6488/2.....	Lower Rear Panel - S/S Water Cooled.....	2 107 010
6562.....	Mix Pump Body..... <i>1a 32410</i>	1 632 020
6564.....	Pump Shaft Seal.....	1 411 210
6619.....	End Piston.....	1 652 030
6764/2.....	Lever Connecting Arm (single head only)...	1 680 180
6851.....	Condenser (air cooled).....	1 731 030
6860.....	Pump Drive Shaft.....	1 634 010
6865.....	Front Drip Pan.....	1 745 010
6866.....	Cover - Front Drip Pan.....	1 745 020
6871.....	Lower Rear Panel - S/S Air Cooled.....	2 108 010
6886.....	Drip Chute.....	1 745 030
6890.....	Center Piston 'O' Ring.....	1 411 230
7012.....	Upper Rear Panel - Stainless Steel.....	2 106 010
7097.....	Center Piston.....	1 652 040
7979.....	Stud - Pump.....	1 633 010
7980.....	Hook Stud - Pump.....	1 633 090
8469.....	Pump Cover.....	1 632 150
8480.....	Connecting Tube.....	1 637 160
8696.....	Feeding Elbow.....	1 636 230
8697.....	Relief Plunger.....	1 637 010
9128.....	Lever Connecting Arm-Right (twist head)...	1 680 160
10017.....	Electric Box Cover (right).....	1 775 010
10018.....	Electric Box Cover (left).....	1 775 020
10039/1.....	Retaining Knob (mix pump).....	1 636 010
10113.....	Water Outlet Fitting (water cooled units)...	2 111 010
10114.....	Water Inlet Fitting (water cooled units)...	2 111 020
10144/1.....	Switch Plate - Left.....	2 115 240
10148.....	Hot & Cold Water Inlet Fittings (air cooled)	2 111 030
10219.....	Float Stem.....	1 664 020
10222/1.....	Seal (float stem).....	1 664 060

SPARE PARTS - Continued

-4-

MECHANICAL:

<u>Part No.</u>	<u>Description</u>	<u>Code No.</u>
10291.....	Float Stem Nut.....	1 664 030
*10298..	Cover - Mix Tank....	1 750 010
*10560.....	Driven Gear (gear box).....	1 614 210
*10567.....	Upper Gear Box Housing.....	1 611 300
*10568.....	Lower Gear Box Housing.....	1 611 170
*10569.....	Drive Gear (gear box) ...	1 614 030
*10580.....	Pump Drive Pulley... ..	1 631 230
*10581.....	Cover - With Pulley	1 621 150
*10711.....	Bracket - Rear Micro.....	1 625 020
*10723.....	Delrin Blade (beater/auger).....	1 641 230
11792.....	Spigot Head Body.....	1 651 130
*11816	Beater Seal.....	1 411 260
100154.....	Check Valve.....	3 411 130
100183.....	Switch Plate.....	2 119 040
100214.....	Rubber Washer.....	3 412 220
100246	Relay Board (less RW relays).....	2 211 040
100277	Delrin Plug (gear box-ref. P.N.4684).....	1 612 330
INS 973.....	Drip Chute Support Bracket.....	1 745 290
INS 1052.....	Gear Box - Left Side (complete)	1 602 020
INS 1150.....	Drip Chute Support Bracket	1 745 300
INS 1372	Gear Box - Right Side (complete).....	1 602 040
INS 1656	Beater/Auger.....	1 640 030
INS 1817	Float	1 664 010
*INS 2495	Gear Box (complete).....	1 602 060
*INS 2535/5...	Beater/Auger.....	1 640 070
LHC-142J-7...	Spring - Motor Mount	3 113 020
LC-063G-6	Spring	3 113 050
SN-P8.....	Hose Clamp	3 409 260
MIM 4060	Seal (gear box)	1 616 080
RIV 5A.....	Bearing (gear box).....	1 785 110
RIV5AANON40..	Bearing (gear box)	1 785 050
RIV AL 25.....	Bearing (pump drive pulley assembly)	1 785 030
RIV2APPL25...	Bearing (reversing assembly).....	1 785 020
L-151-9-SS...	Faucet (optional).....	3 550 010
AC-4S.....	Caster (optional).....	3 550 250
42555-300G..	Reset Button.....	3 206 300
7207-61	Hose Fitting Swivel (optional).....	3 501 350
210-P8.....	Nut / 1/2" Brass.....	3 501 300
216-P8.....	Union / 1/2" M.P.T.	3 501 320
261 P-06.....	Nut / 3/8" Poly-Flo	3 550 120
262 PH06	Union / 3/8" Poly-Flo	3 550 060
269 P-3/8"....	Elbow / 3/8" Male	3 550 090
66-P-3/8"	3/8" Hose/Rear Wash Kit (cold).....	3 550 050
66-PP-3/8"....	3/8" Hose/Rear Wash Kit (hot).....	3 550 040

NOTE: * Parts for machines with serial no. 321200 and up ONLY

SPARE PARTS - Continued

-5-

MECHANICAL:

<u>Part No.</u>	<u>Description</u>	<u>Code No.</u>
149F-8-8-1/2"	Elbow/ 1/2" M.P.T. to 1/2" Flare	3 501 140
1/2"x3/8"T	Tee/ 1/2"x1/2"x3/8"	3 502 200
3L-420	Drive Belt (pump)	3 414 050
4L-520	Drive Belt - 1ø only (main) .. (4) per Glycol	3 414 200
4L-540	Drive Belt - 3ø only (main) .. (4)	3 414 210
OR-348	O'Ring (spigot head)	3 410 080
OR-233	O'Ring (mix pump)	3 410 170
OR-222A	O Ring (relief plunger)	1 411 200
OR-220	O'Ring (end pistons)	3 410 180
OR-214	O'Ring (feeding elbow)	3 410 220
OR-176	O'Ring (gear box)	1 411 360
OR-113	O'Ring (connecting tube, suction tube)	3 410 300
OR-112	O'Ring (connecting tube)	3 410 310

GLYCOL PUMP:

GPPE-5C-1S	Glycol Pump/complete(less hose fittings)	3 409 010
100048	Motor/230 V Single Phase	3 203 330
200073	Impeller	3 409 150
200074	Retaining Nut	3 409 130
200017)	Reservoir	
200075)	Reservoir	
200077)	Reservoir	3 409 070
200108	Pump Housing	3 409 050
200126	O'Ring	3 409 160
900252	Elbow Fitting	3 409 020
9/16"O.Dx3/8"ID	Flexible PVC Tubing (clear)	3 407 270

REFRIGERATION:

NRD-0310-TFC	Compressor - 3 HP 3ø	3 302 120
NRD-0310-CFB	Compressor - 3 HP 1ø	3 302 130
A3 S1	Solenoid Valve (less coil)	3 306 010
B 14 S2	Solenoid Valve - Suction (less coil)	3 306 040
GR-1-ZP	Expansion Valve	3 305 030
ORIT-10	Valve-Evaporator Press. Regulator	3 306 160
C 163	Catch All/Filter-Dryer	3 305 210
SA13FM	See All/Liquid Indicator	3 305 150
010-1490	Temperature Control	3 306 260
011-3154	Pressure Control	3 306 310
56-1/2	Water Valve (water cooled units <u>only</u>)	3 304 110
1212FX	Vibration Eliminator	3 304 010
L514	Receiver	3 304 210
27733	Receiver Valve W/Seal	3 304 300
1212	Condenser - Water	1 730 020
6851	Condenser - Air	1 731 030

SPARE PARTS - Continued

-6-

ELECTRICAL:

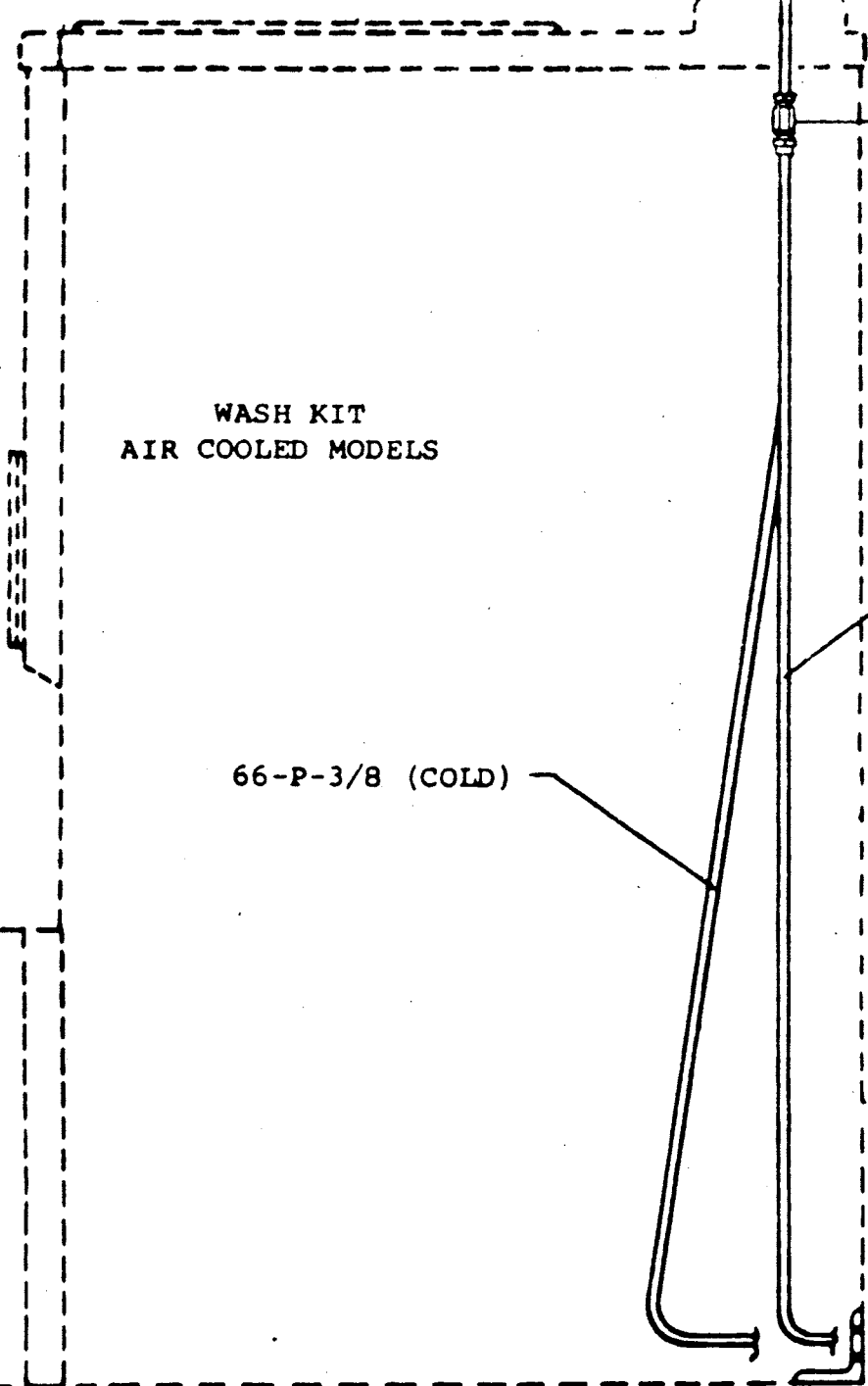
<u>Part No.</u>	<u>Description</u>	<u>Code No.</u>
5K49UG8054 Motor - 2HP 208/230V 3 ϕ	3 201 150
3N253 Motor - 2 HP 208/230 V 3 ϕ	3 201 170
5KC182AL202D	.. Motor - 2 HP 230V 1 ϕ	3 201 140
5K953 Motor - 2 HP 230V 1 ϕ	3 201 180
5KSP390G6988	.. Fan Motor (air cooled units <u>only</u>)	3 203 110
RJ91-289-999	.. Timer - 10 Min	3 212 030
438F Time Delay - Solid State	3 212 150
RWS Relay Receptacle (RWP relays)	3 210 100
RWR Retaining Clip (RWP Relays)	3 210 110
RWP-1 Relay	3 210 010
RWP-2 Relay	3 210 020
RWP-3 Relay	3 210 030
100246 Relay Board (less RWP relays)	2 211 040
ACC330U30 Contactor-Compressor 1 ϕ	3 204 180
ACC340U30 Contactor-Compressor 3 ϕ	3 204 190
ACS3202U30 Starter-Beater Motor 1 ϕ	3 204 010
ACS3303U30 Starter-Beater Motor 3 ϕ	3 204 020
42014 Heater - 3 ϕ	3 206 030
42020 Heater - 1 ϕ	3 206 070
32000-309 Internal Protector/Overload	3 206 370
34300-301 Contact Points (for ACS - ACC)	3 206 340
34320-502 Coil (for ACS - ACC)	3 204 320
BZE6-2RN Micro Switch - Front	3 205 040
DTE6-2RN Micro Switch - Rear	3 205 010
PB-1 Push Button (compressor start)	3 208 060
PB-15 Selector Switch (2 position)	3 208 070
PB-16 Selector Switch (3 position)	3 208 080
AOC Contact Black (normally closed)	3 208 140
AOO Contact Block (normally open)	3 208 130
5TF2NRB5 Light - "Fill" Indicator	3 209 080
5TDILAN2 Light - Amber (energy con.)	3 209 060
5TD1LRN2 Light - Red (compressor pilot light)	3 209 070
MKC-1 Coil (solenoid valve - A3S1)	3 306 020
MKC-2 Coil (solenoid valve-B14S2)	3 306 050
4X745 Transformer - 240V - 24V	3 213 020



L-151-9-SS

UP-832

5656
*10298



262 PH-06

66-PP-3/8 (HOT)

66-P-3/8 (COLD)

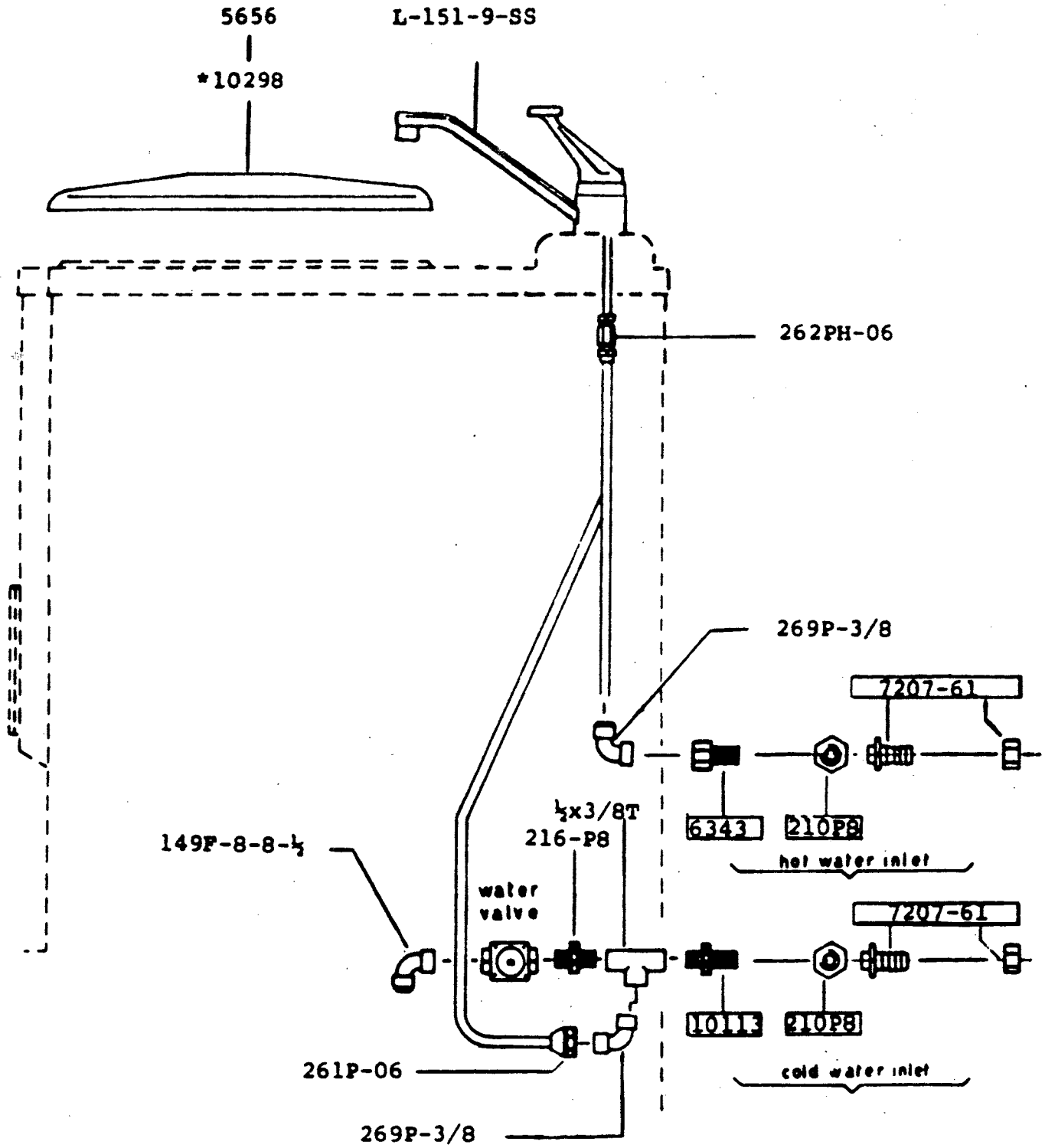
261P-06

10148

7207-61

261P-06

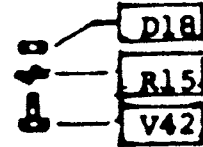
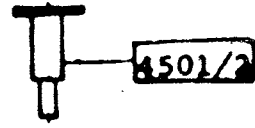
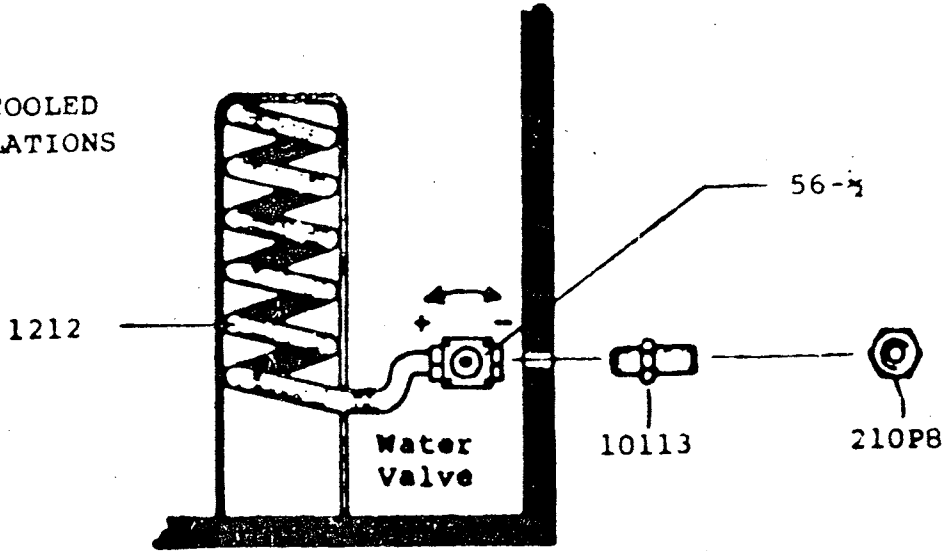
*MACHINES WITH SERIAL NO. 321200 AND UP



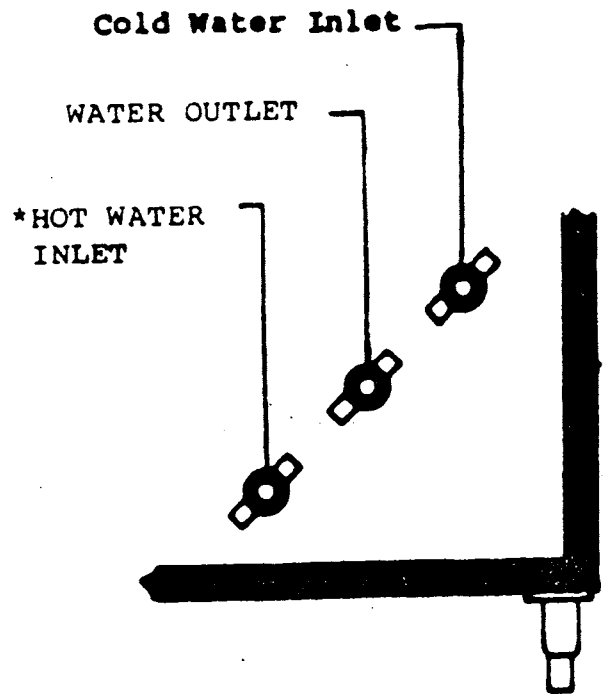
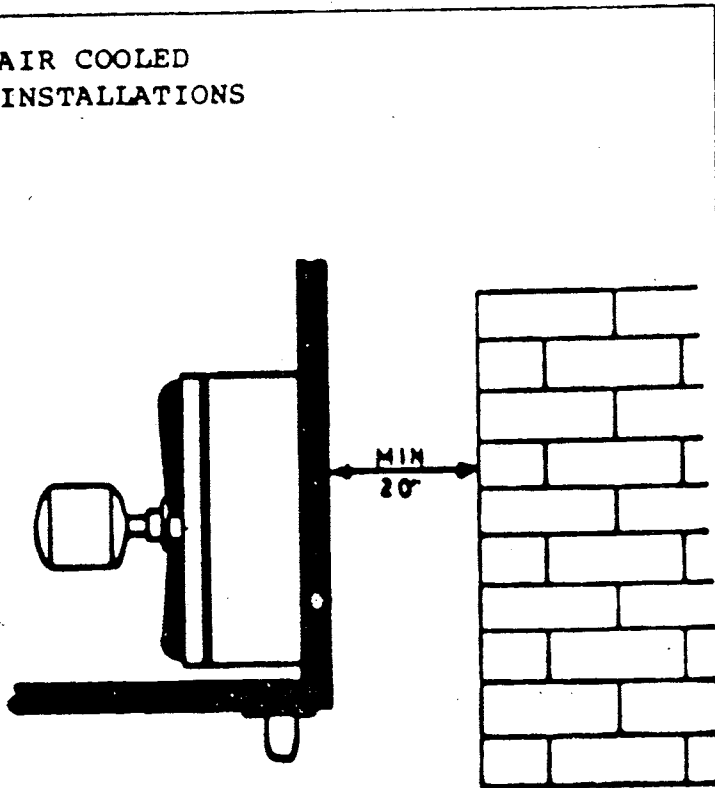
WATER COOLED MACHINE

*MACHINES WITH SERIAL NO. 321200 AND UP

WATER COOLED
INSTALLATIONS



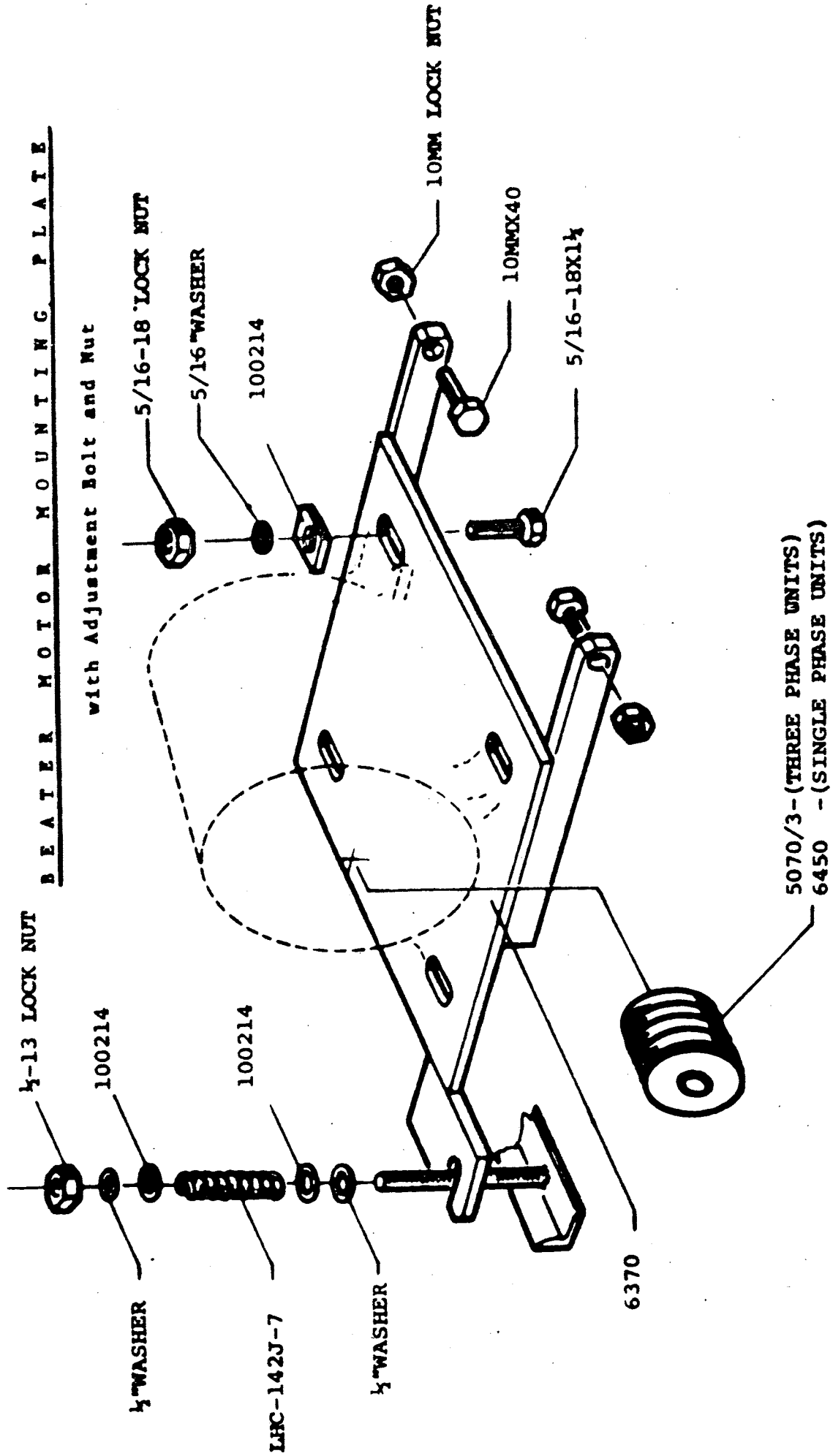
AIR COOLED
INSTALLATIONS



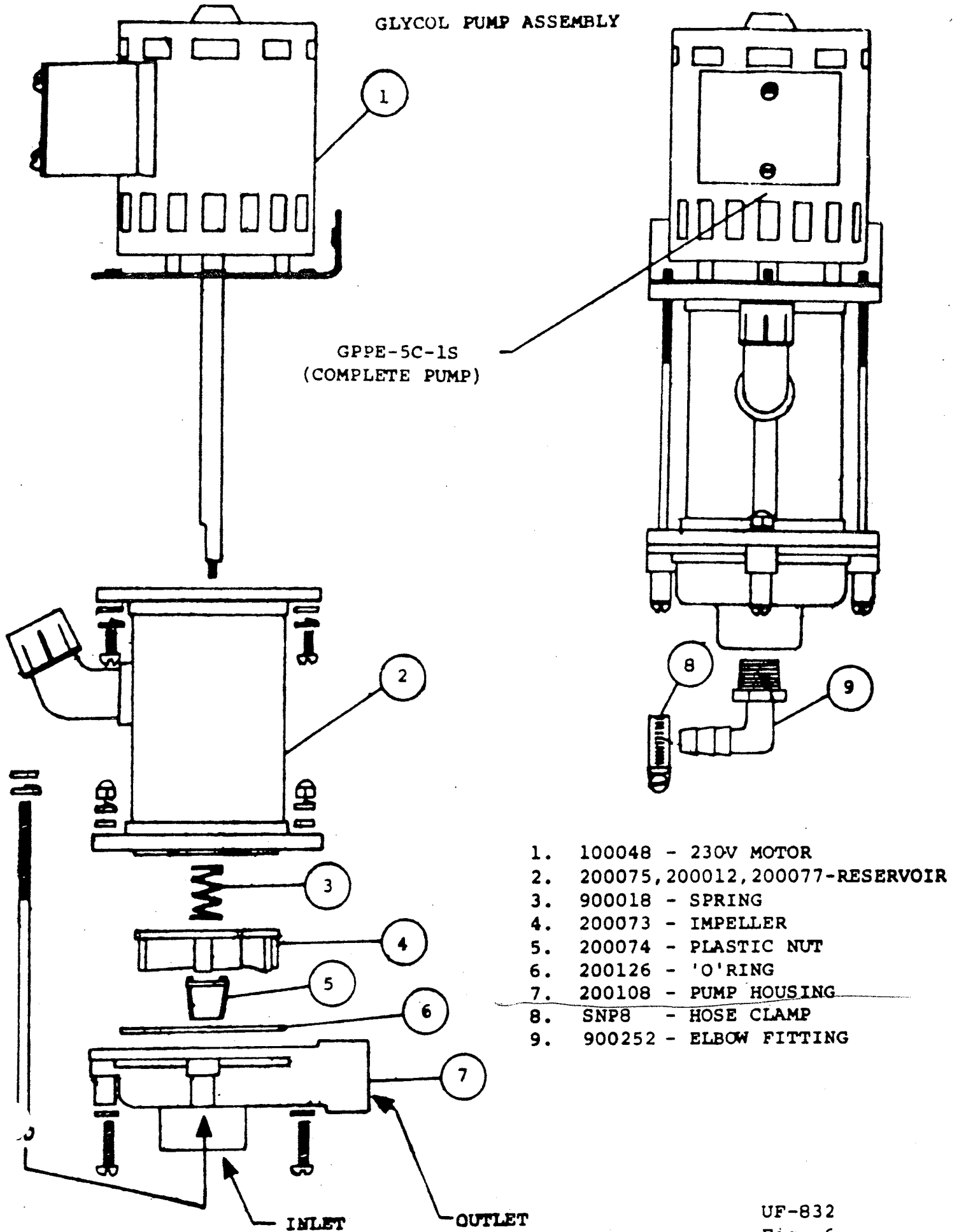
* (UNITS EQUIPPED WITH WK-1 ONLY)

Fig. 4

Fig. 5



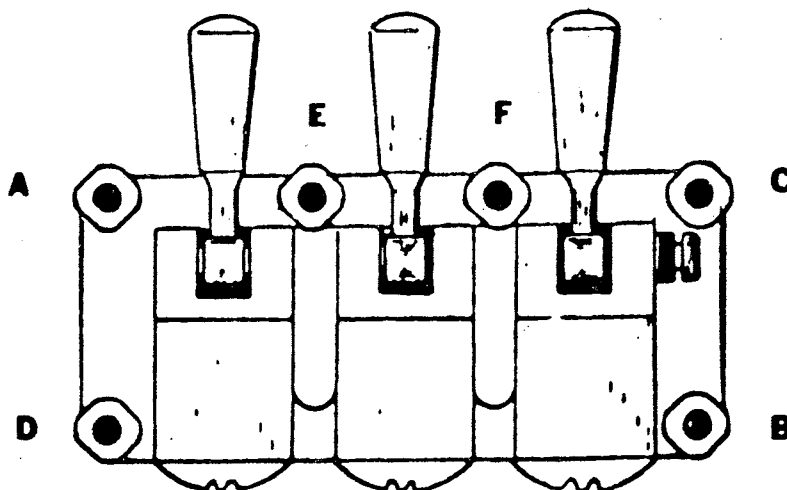
GLYCOL PUMP ASSEMBLY



1. 100048 - 230V MOTOR
2. 200075, 200012, 200077-RESERVOIR
3. 900018 - SPRING
4. 200073 - IMPELLER
5. 200074 - PLASTIC NUT
6. 200126 - 'O'RING
7. 200108 - PUMP HOUSING
8. SNP8 - HOSE CLAMP
9. 900252 - ELBOW FITTING

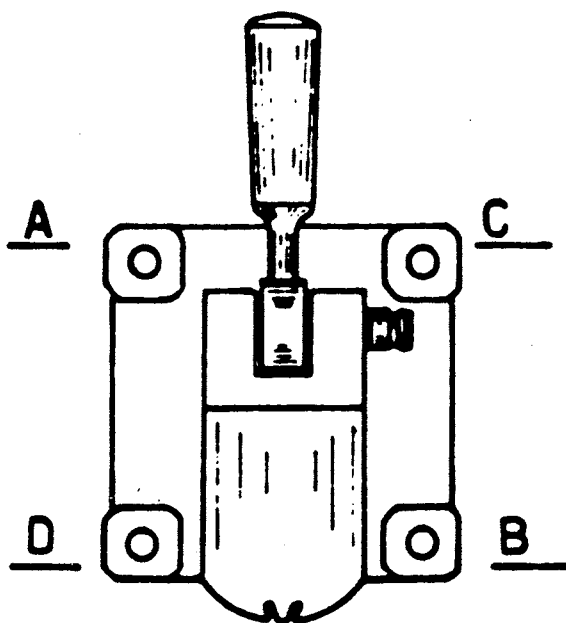
Fig. 7

TWIST HEAD ASSEMBLY

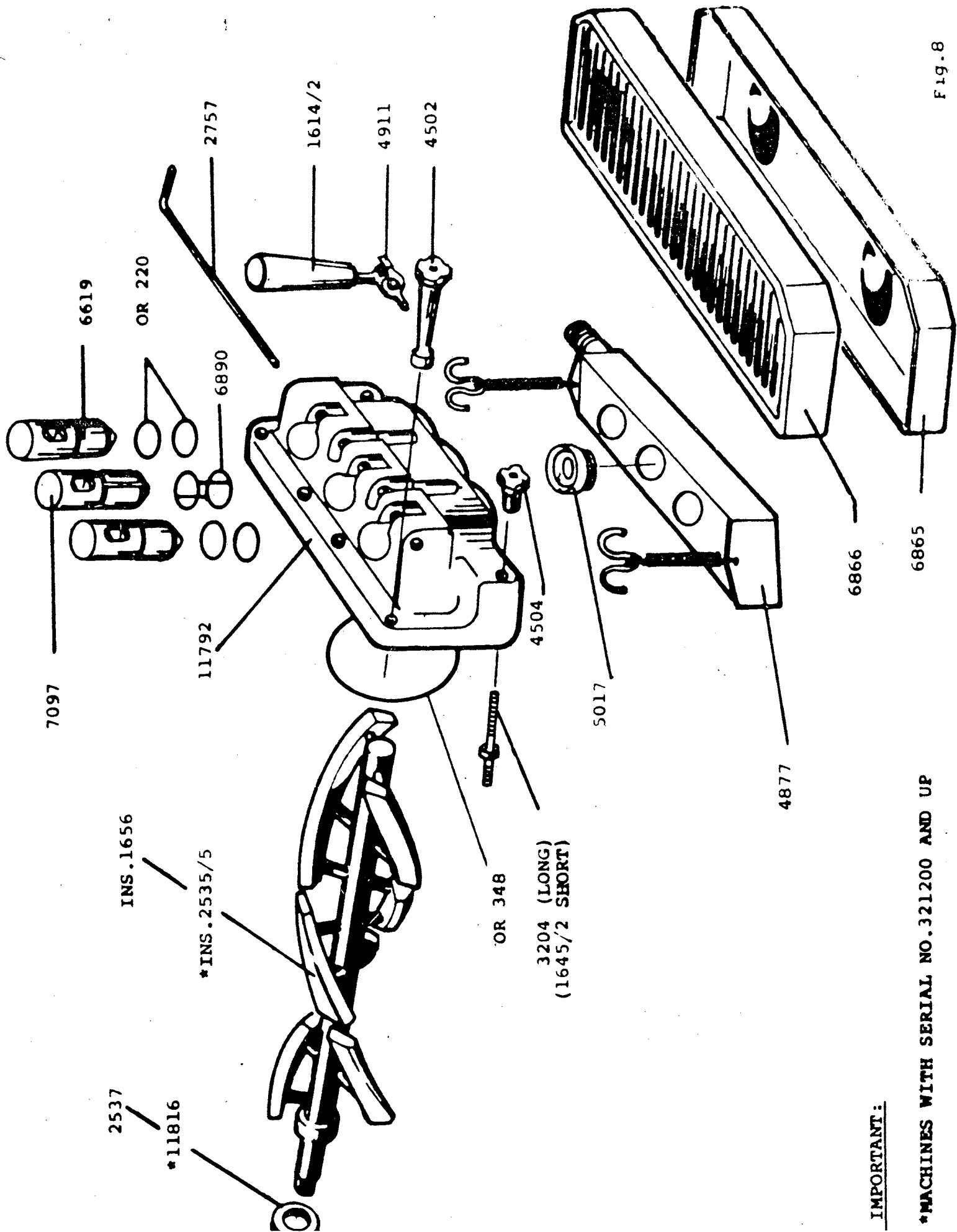


TIGHTEN KNOBS ACCORDING TO
LETTER SEQUENCE

SINGLE HEAD ASSEMBLY



TIGHTEN KNOBS ACCORDING TO
LETTER SEQUENCE



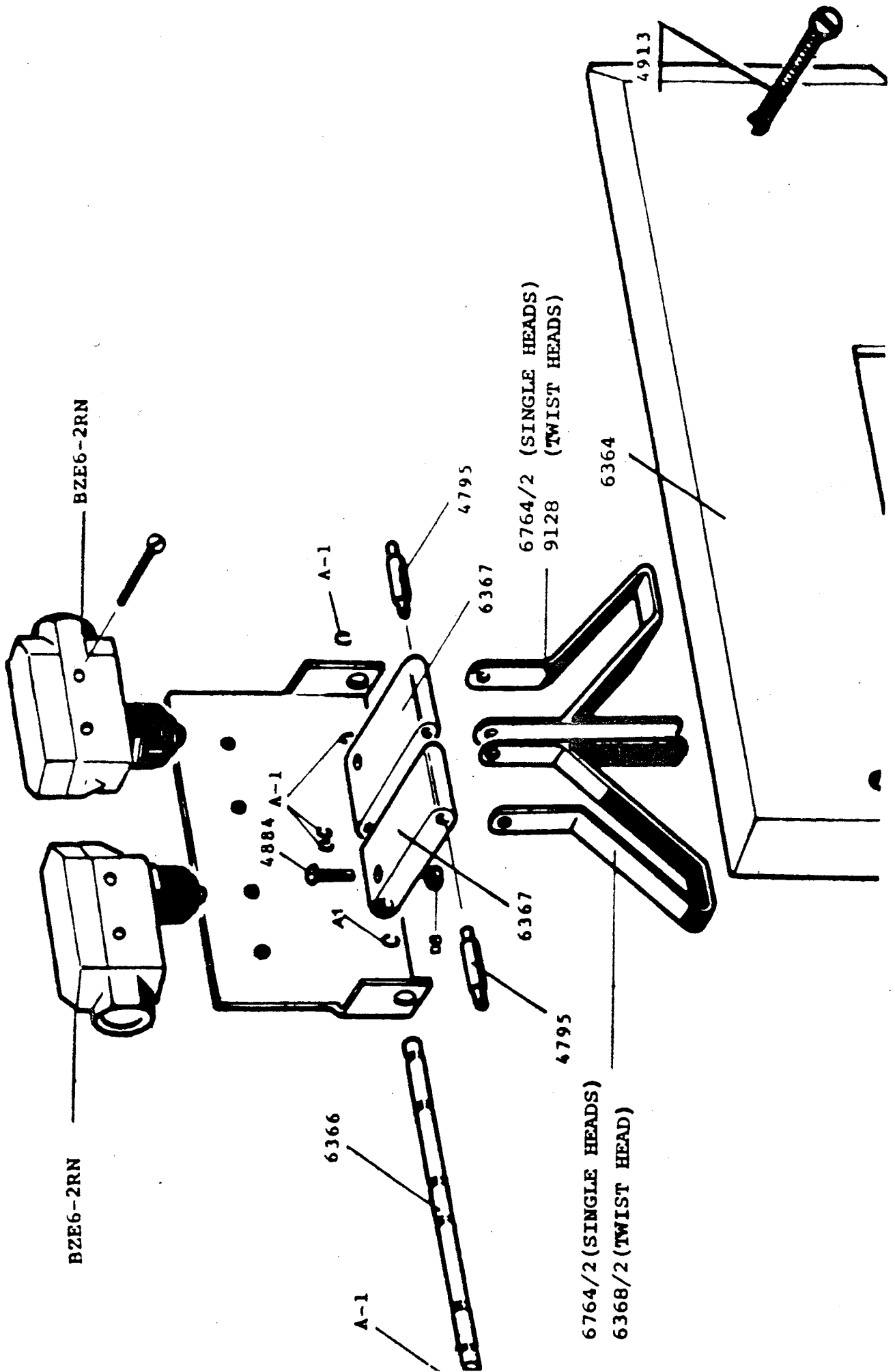
***MACHINES WITH SERIAL NO.321200 AND UP**

IMPORTANT:

Fig.8

UF-832

Fig. 9



UF-832
MIX PUMP CONNECTION

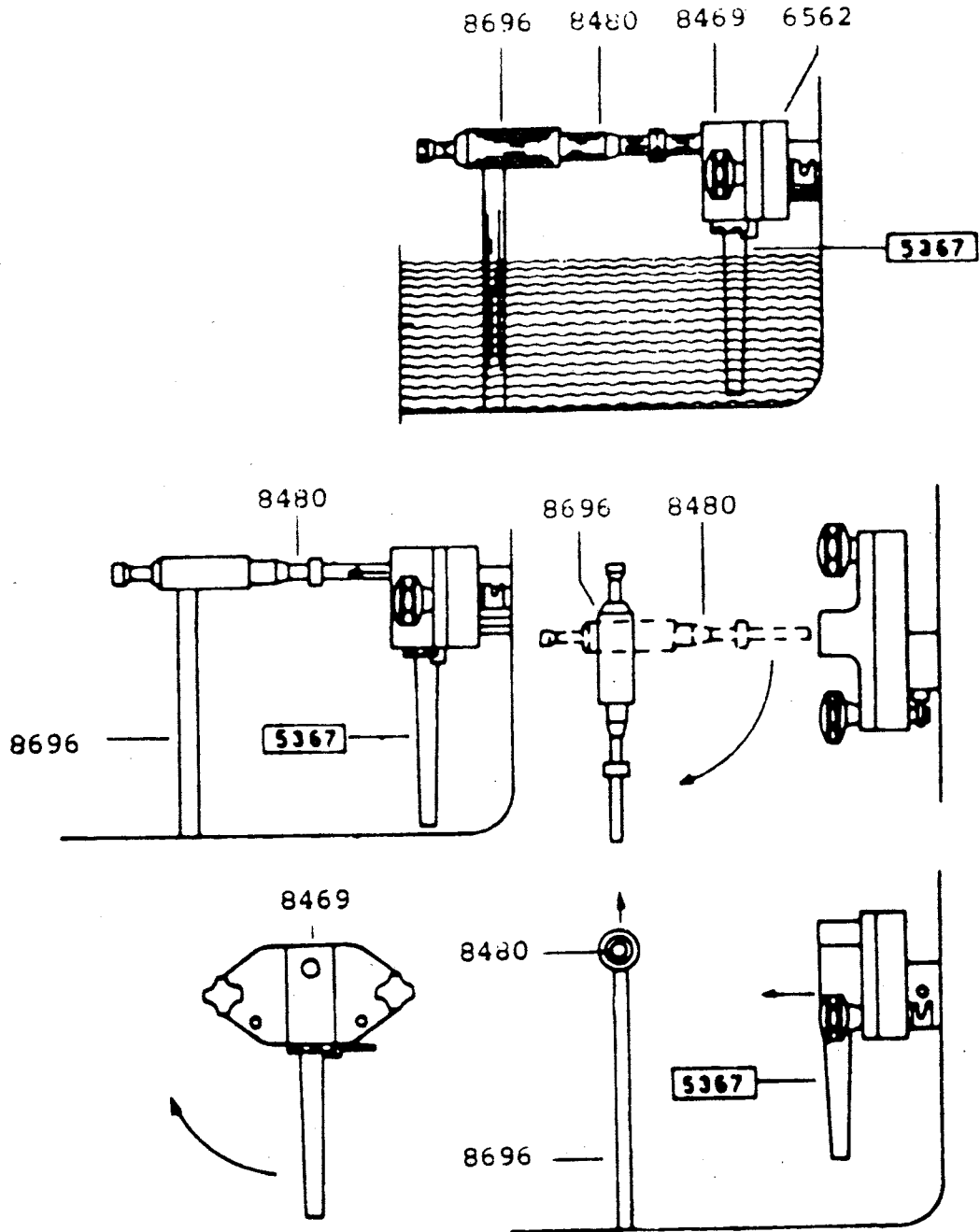
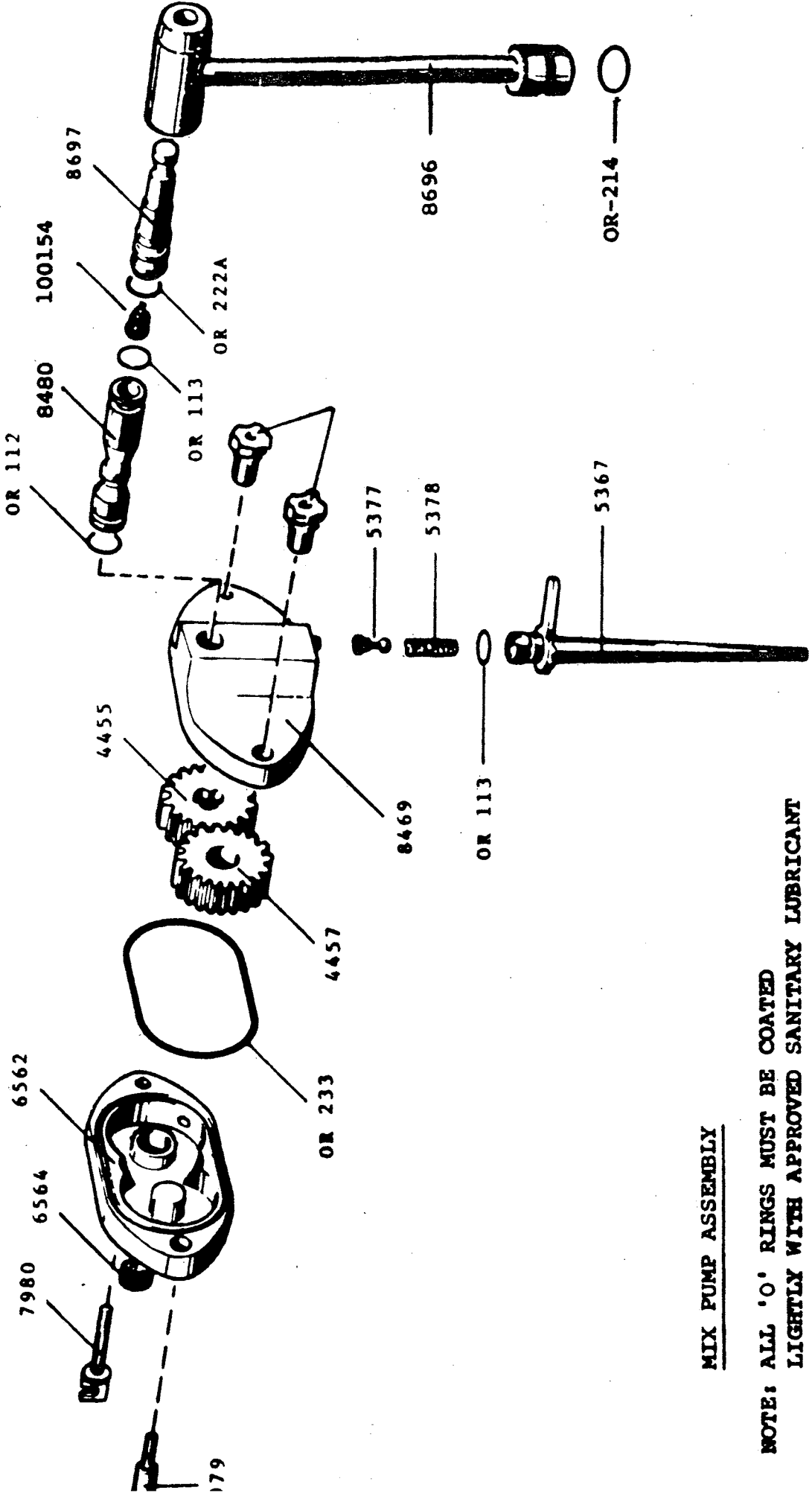
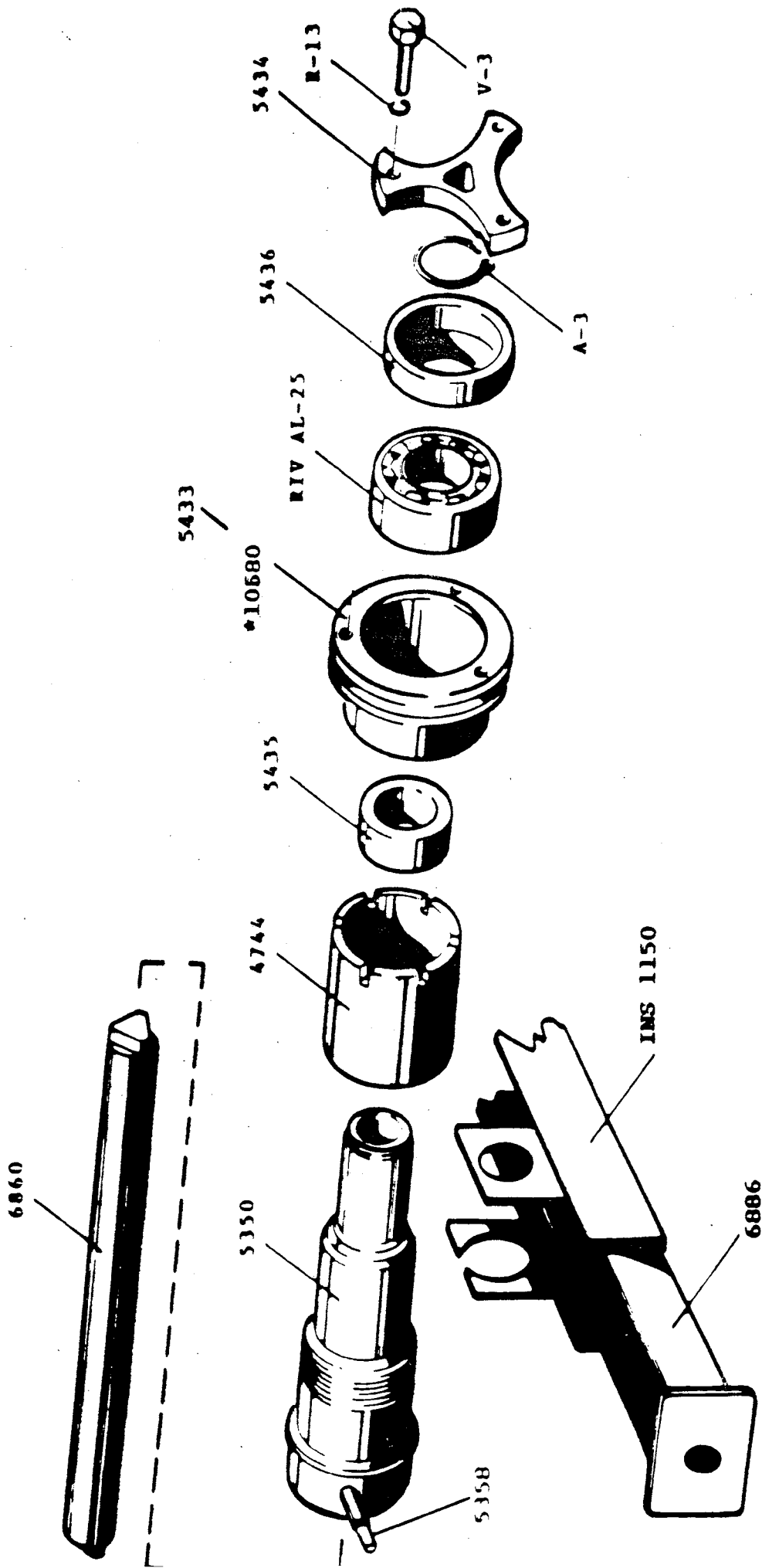


Fig.10



MIX PUMP ASSEMBLY

NOTE: ALL 'O' RINGS MUST BE COATED LIGHTLY WITH APPROVED SANITARY LUBRICANT



MIX PUMP PULLEY ASSEMBLY

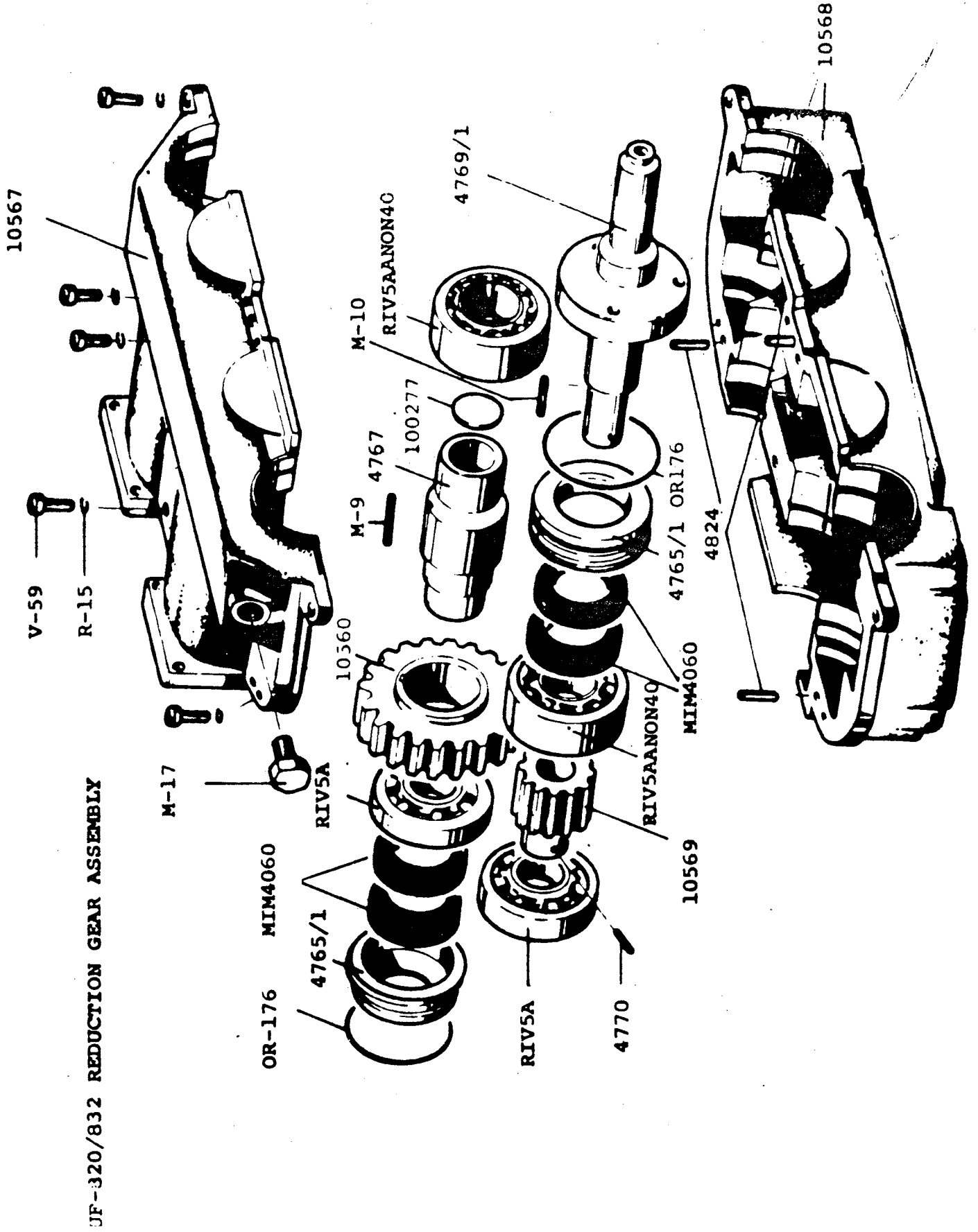
IMPORTANT:

*Machines with serial number 321200 and up

Fig.12

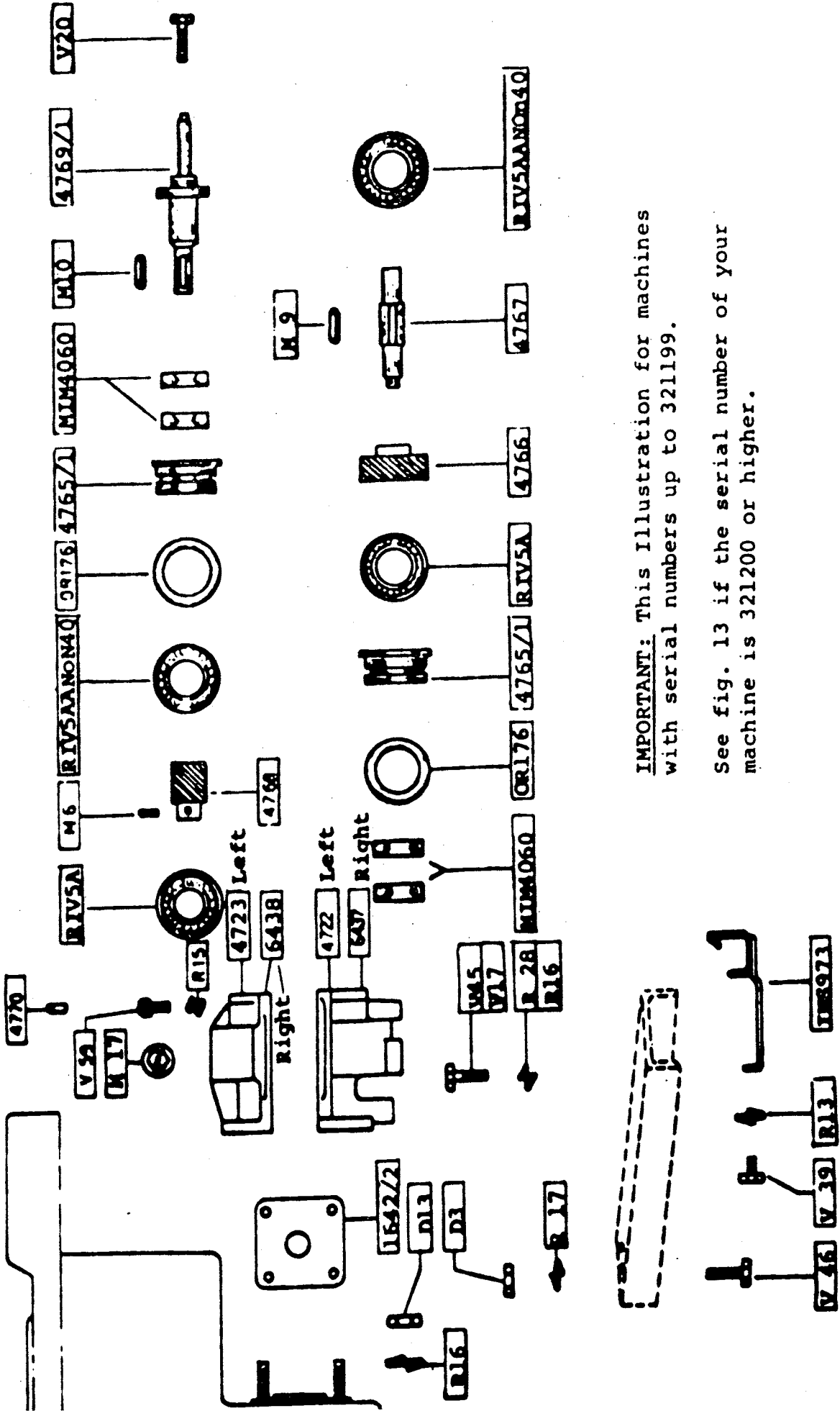
* Machines with serial no. 321200 and up ONLY

Fig. 13



UF-832

REDUCTION GEAR ASSEMBLY



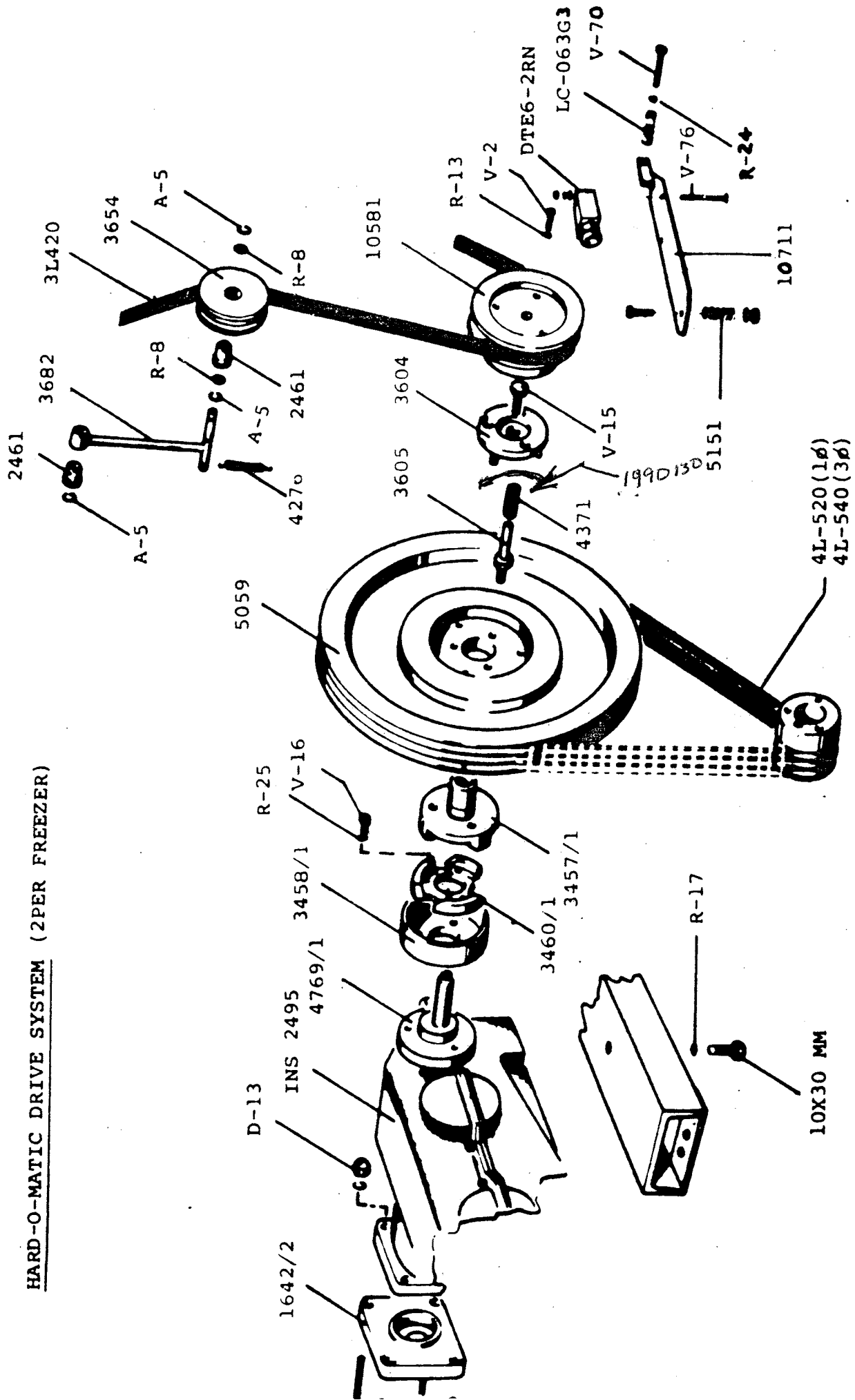
IMPORTANT: This Illustration for machines with serial numbers up to 321199.

See fig. 13 if the serial number of your machine is 321200 or higher.

IMPORTANT: This illustration for machines with serial no.321200 and up ONLY

Fig.15

HARD-O-MATIC DRIVE SYSTEM (2PER FREEZER)



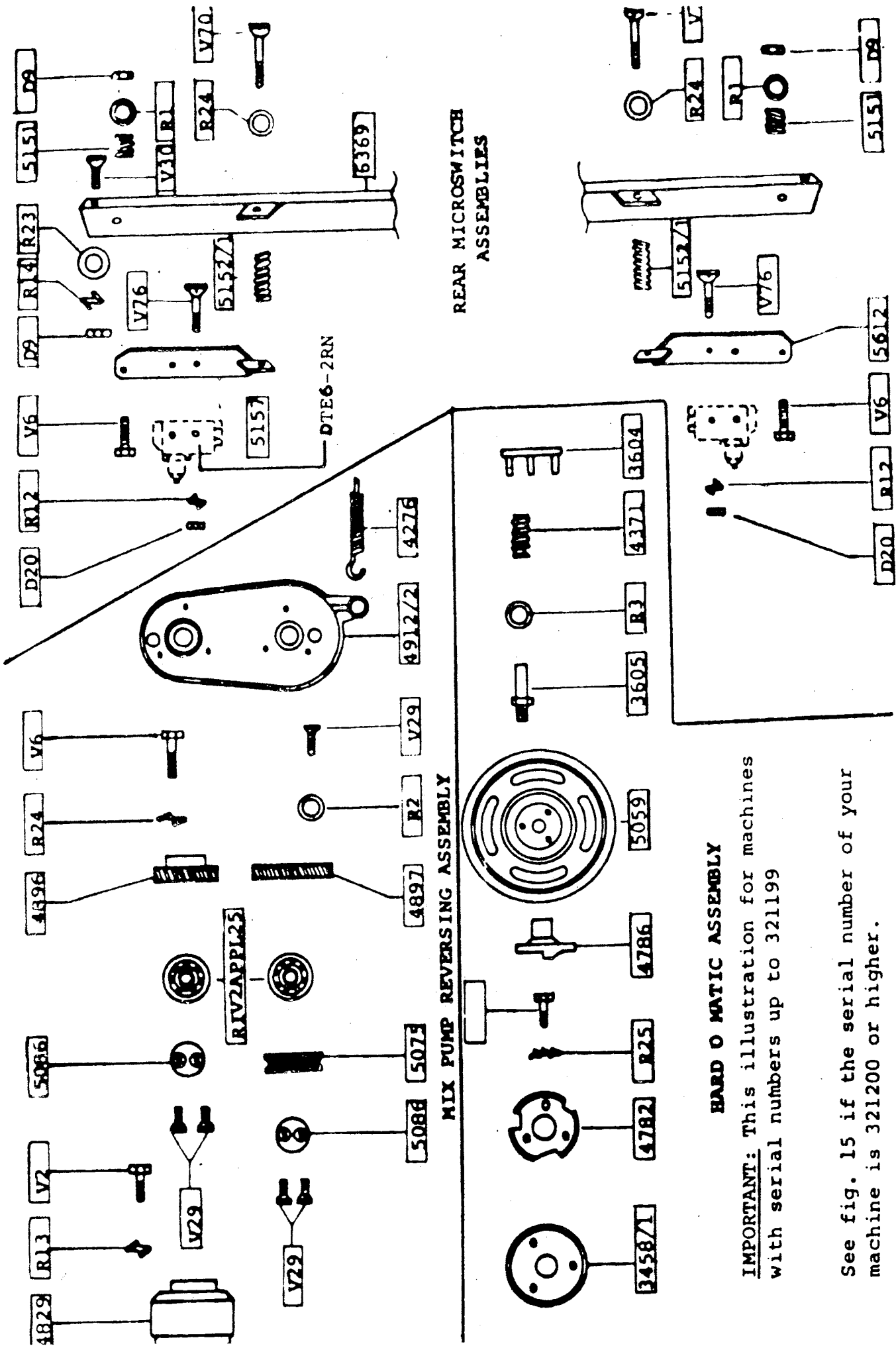
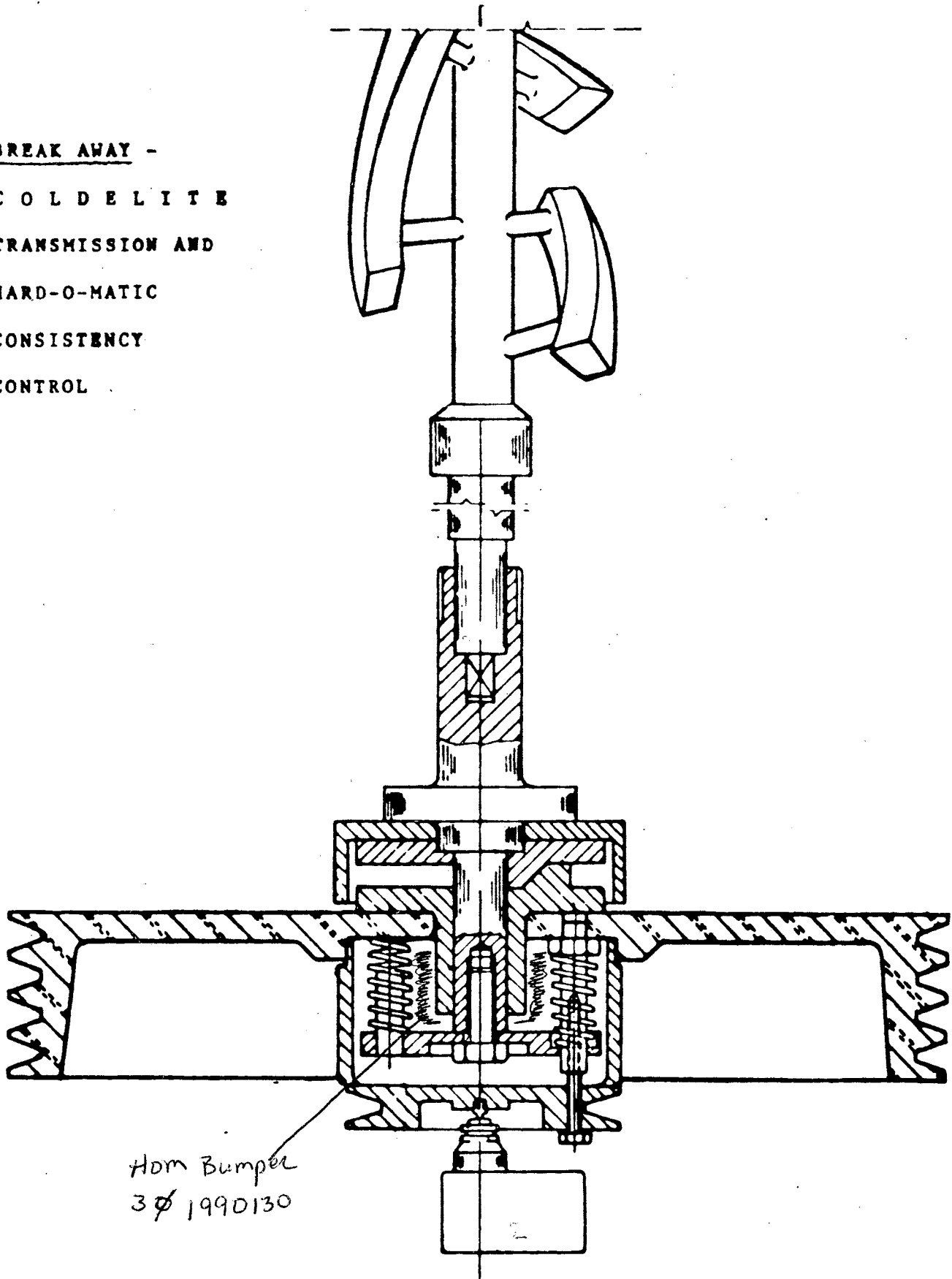


Fig. 15

BREAK AWAY -
C O L D E L I T E
T R A N S M I S S I O N A N D
H A R D - O - M A T I C
C O N S I S T E N C Y
C O N T R O L



Hdm Bumper
3Ø 1990130

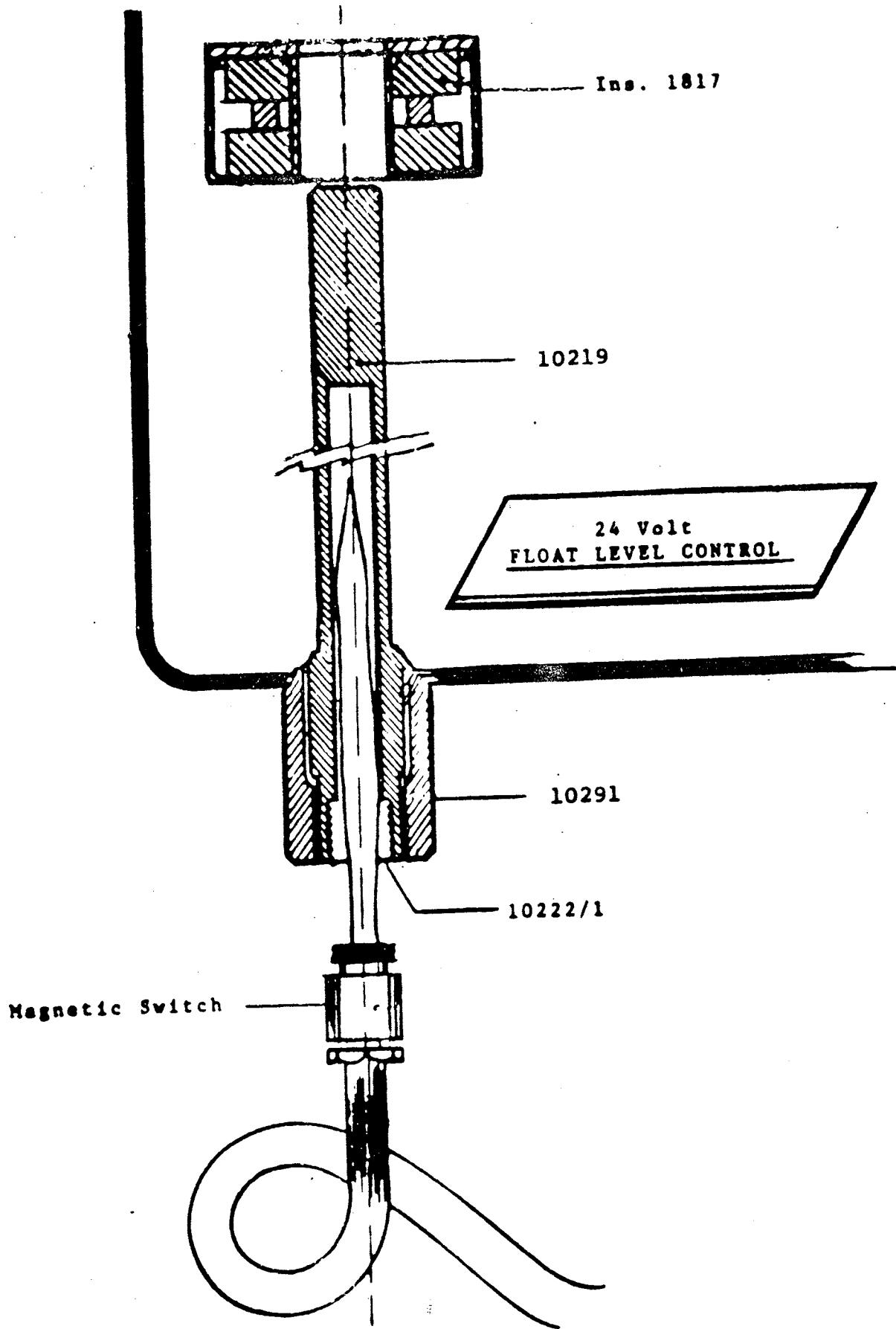


Fig.18

TO: All Distributors & Service Agents
FROM: Bill Van Hine
DATE: August 4, 1987
RE: Replacement for Arrow Hart starters
#302/87

Arrow Hart has informed us that they have discontinued production of their ACS line of motor starters. The models affected by this are ACS 3202U30, ACS 3302U30, ACS 3303-8006. We have very limited quantities of select models of the above.

We will be replacing the above with AEG contactor and overload assemblies. Please refer to the chart for ordering information and overload setting.

INSTALLATION INSTRUCTIONS

- 1) Disconnect all power from machine.
- 2) Remove existing Arrow Hart starter.
- 3) Install replacement starter and overload kit making sure reset lines up with reset button on cover..
- 4) Connect wires L1,L2,L3 to L1,L2,L3 on contactor. Connect beater motor feed lines to 2,4,6 on overload. Connect overload feed lines to #95 & #96 on top of overload. Connect coil feed lines to A1 and A2 on contactor.
- 5) Set overload to FLA rating on motor name plate.
- 6) Check for loose connections and reconnect power supply before starting machine.

BVH/lmn

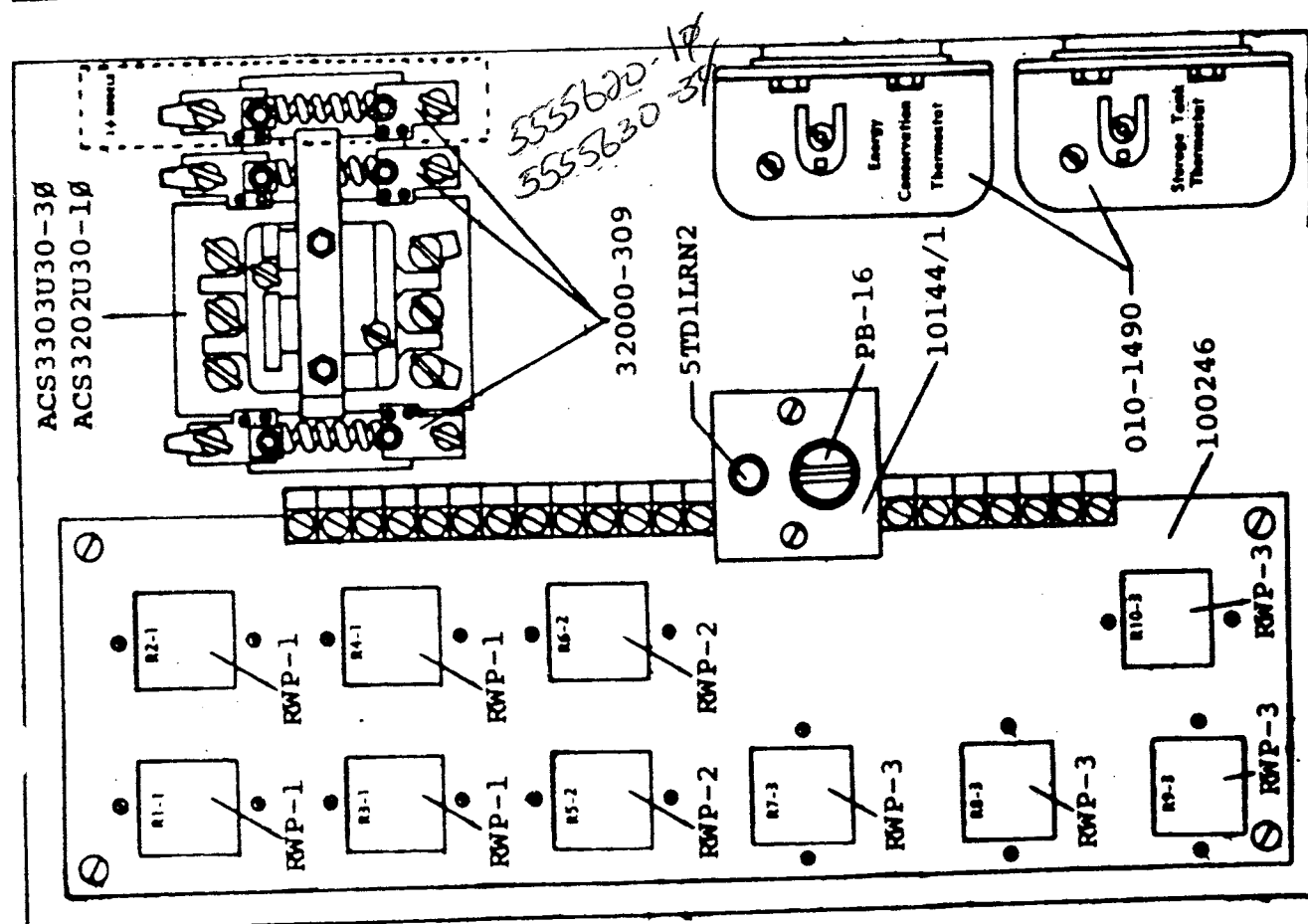
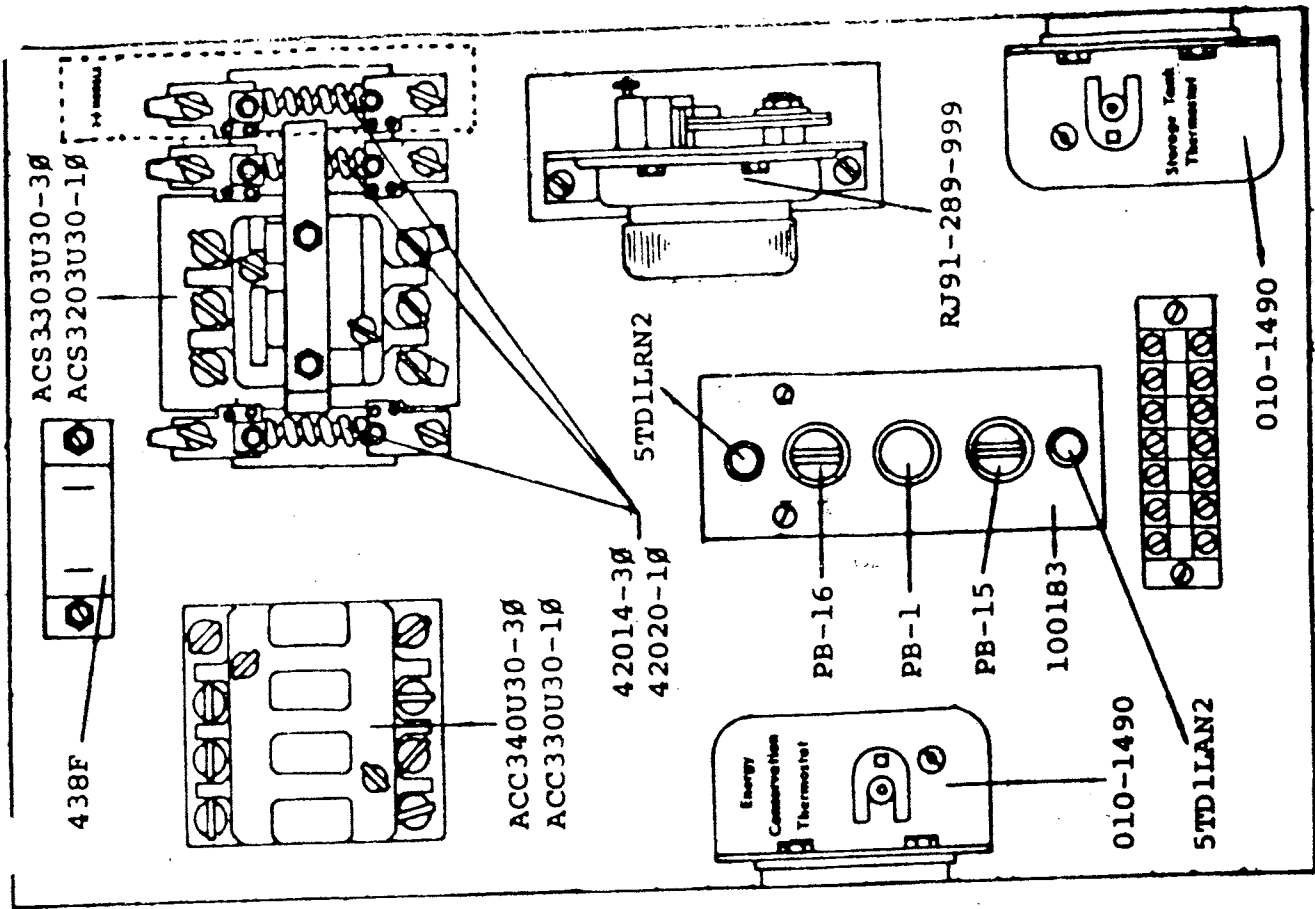
Attachment

***NOTE: THE REQUIRED INFORMATION ON THIS SHEET MUST ACCOMPANY PART(S) BEING SHIPPED.

EXISTING ASSEMBLY

NEW ASSEMBLY

MACHINE MODEL NO. & PHASE	ARROW HART STARTER	A.H. HEATER # AND VALVE	CONTACTOR PART NO. & CODE NO.	OVERLOAD NO., CODE & SETTING	COLDELITE PART CODE NUMBER
UF-820/832/410 LB-250 Single Phase	ACS33202U30	42020 Trip Amps 12.0	SP17 3204270	B17S-MS 3206460 12.0 Amps	100665 5555620
UF-820/832/410 LB-250 Three Phase	ACS3303U30 or ACS33302U30	42014 Trip Amps 6.6	SP17 3204270	B17S-LS 3206470. 6.8 Amps	100664 5555630 <
LB-500 Single Phase	ACS33202U30	42022 Trip Amps 18.0	SP17 3204270	B17S-NS 3206480 17.0 Amps	100666 5555640
LU-500 Three Phase	ACS3303U30	42022 Trip Amps 10.1	SP17 3204270	B17S-MS 3206460 10.0 Amps	100665 5555620
UF-232/112/Shake Single Phase	ACS33202U30	42014/42015 Trip Amps 5.6/7.3	SP17 3204270	B17S-LS 3206470 6.0 Amps	100664 5555630 <
UF-232/112/Shake Three Phase	ACS33302U30 or ACS33303U30	42010/42011 Trip Amps 3.2/4.1	SP17 3204270	B17S-1S 3206490 4.0 Amps	100667 5555650

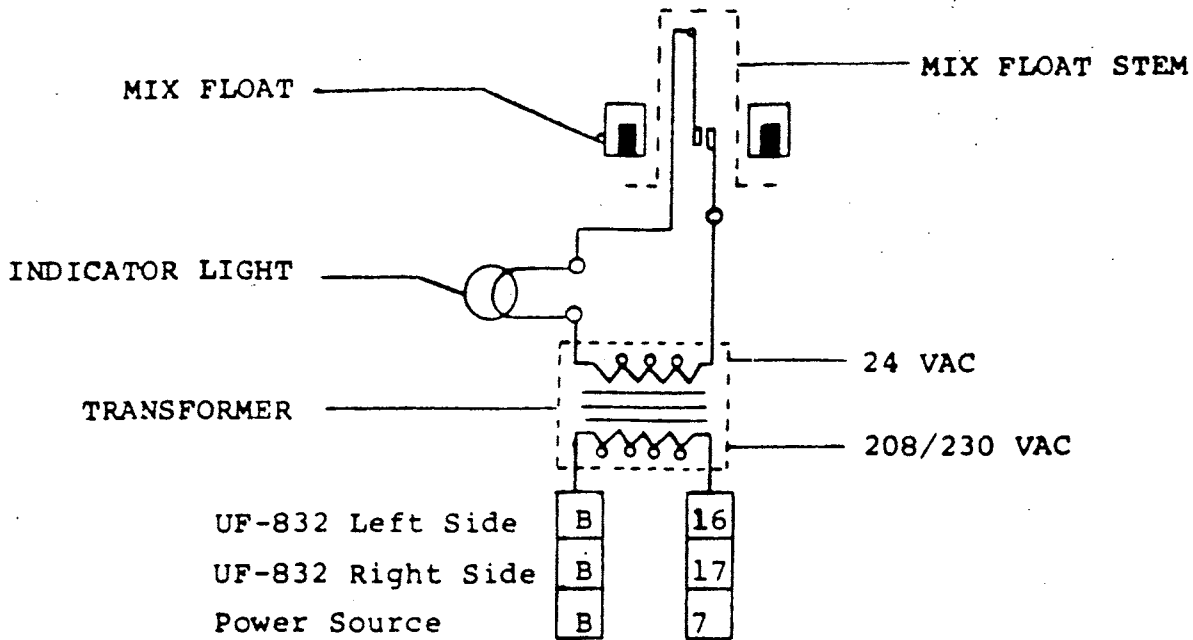


UF-832 FRONT CONTROL PANEL

Fig. 20

Fig.21

MIX LEVEL CONTROL WIRING DIAGRAM



SPARE PARTS
FOR MODEL - UF-832

When ordering spare parts from your authorized COLDELITE distributor, refer to the following part numbers and descriptions:

MECHANICAL:

<u>Part No.</u>	<u>Description</u>	<u>Code No.</u>
1212.....	Condenser (water cooled).....	1 730 020
1614/2.....	Spigot Handle.....	1 653 240
1642/2.....	Gear Box Spacer/Gasket.....	1 611 010
1645/2.....	Stud (8mm-short).....	1 654 350
*2461.....	Bushing.....	1 610 010
2537.....	Beater Seal	1 411 350
2757.....	Retaining Rod.....	1 654 040
2823.....	Fan Blade w/hub.....	1 740 010
3204.....	Stud (8mm-long).....	1 653 040
*3457/1.....	Clutch Driven Disc.....	1 620 050
3458.....	Cover (clutch).....	1 620 280
*3460/1.....	Clutch Drive Disc.....	1 620 170
3604.....	Base-Clutch Spring.....	1 621 020

NOTE: * Parts for machines with serial no. 321200 and up ONLY

