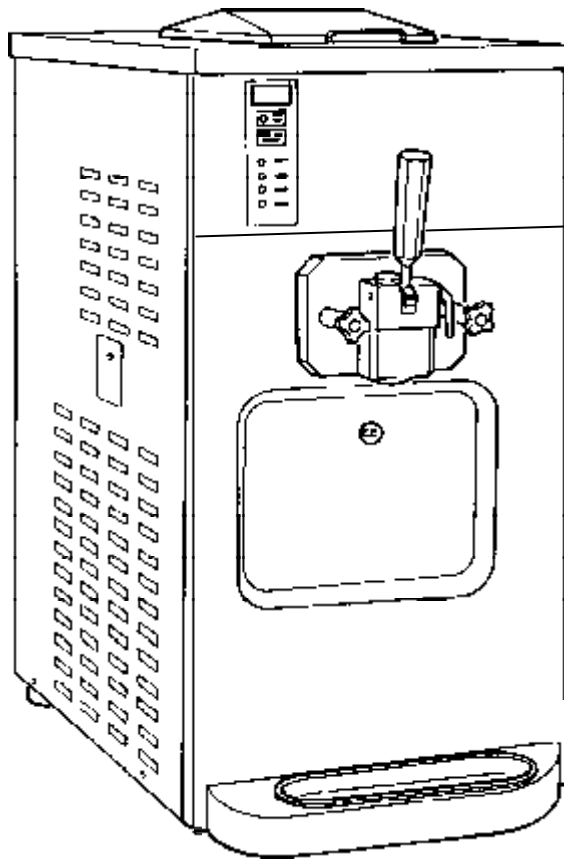


COLDELITE



UC 711 G/P
Soft Serve Freezer
SPARE PARTS MANUAL

COLDELITE CORPORATION OF AMERICA

3760 INDUSTRIAL DR. * WINSTON-SALEM, N.C.27105 * TEL.(910) 661-9893 * FAX (910) 661-9895

UC 711

Pos.	Cod.	Descrizione	Description	Description	Bezeichnung	Descripción
005	118164050	MANIGLIA RUBINETTO COMPLETA BIANCA	FRONT LID HANDLE	POIGNEE PORTILLON	HANDGRIFF FRONTVERSCHLUSS	MANILLA PORTILLO
006	155162700	PERNO RUBINETTO	DISPENSING LEVER PIN	PIVOT PORTILLON	STIFT FRONTVERSCHLUSS	PERNO PORTILLO
007	118103060	CORPO PORTELLO BIANCO STP.11534	DISPENSING HEAD	PORTILLON	FRONTVERSCHLUSS	PORTILLO
008	173100210	POMELLO POMPA	KNOB	POMMEAU	HANDGRIFF	POMO
008A	173105340	POMELLO LUNGO BIANCO	KNOB	POMMEAU	HANDGRIFF	POMO
018	581800107	VALV.ACQUA ATTACCHI 3/8"	WATER VALVE	SOUPAPE A EAU	WASSERVENTIL	VALVULA AGUA
018	581800119	VALVOLA W 3/8"DANFOSS WVO10 003N6212	WATER VALVE	SOUPAPE A EAU	WASSERVENTIL	VALVULA AGUA
019	131165710	CONDENSATORE ARIA ISC	AIR CONDENSER	CONDENSATEUR A AIR	LUFT KONDENSATOR	CONDENSADOR AIRE
021	142070940	AGITATORE 3X M D.85 SX	BEATER	AGITATEUR	RUEHRWERK	AGITADOR
024	157180780	CONTROAGITATORE	BEATER IDLER	CONTRE-AGITATEUR	GEGENRUEHRWERK	CONTRAAGITADOR
025G	173139120	TERMINALE AGITATORE G D.85 SX	BEATER END PUSHER (GRAVITY)	TERMINALE AGITATEUR	RUEHRWERKENDE	TERMINAL AGITADOR
025P	173138690	TERMINALE AGITATORE P D.85 SX	BEATER END PUSHER (PUMP)	TERMINALE AGITATEUR	RUEHRWERKENDE	TERMINAL AGITADOR
025P	173139020	TERMINALE AGITATORE P D.85 SX	BEATER END PUSHER (PUMP)	TERMINALE AGITATEUR	RUEHRWERKENDE	TERMINAL AGITADOR
026	102159650	VASCHETTA SGOCCIOLIO BIANCA	DRIP TRAY	TASSE	SCHALE	CUBETA
027	102159310	CASSETTINO SGOCCL.L=260	DRIP DRAWER	CUVETTE EGOUTTOIR	ABTROPFTASSE	CAJETIN RECOGE
027	102159330	CASSETTINO SGOCCL.L=380	DRIP DRAWER	CUVETTE EGOUTTOIR	ABTROPFTASSE	CAJETIN RECOGE
028	177120160	PREMISTOPPA AGITATORE HYTREL	BEATER SHAFT SEAL	PRESSE ETOUPE AGITATEUR	WELLENDICHTUNG	PRENSAESTOPA AGITADOR
028	177120260	PREMISTOPPA AGITATORE SILICONE	BEATER SHAFT SEAL	PRESSE ETOUPE AGITATEUR	WELLENDICHTUNG	PRENSAESTOPA AGITADOR
029	102164510	COPERCHIO FORO CASSETTINO BIANCO	COVER	COUVERCLE	DECKEL	TAPA
030	118133130	PISTONE PORTELLO COMPLETO	SPIGOT PISTON	PISTON PORTILLON	KOLBEN	PISTON PORTILLO

UC 711

Pos.	Cod.	Descrizione	Description	Description	Bezeichnung	Descripción
031	177110350	VALVOLA MEMBRANA SILICONE BIANCO	VALVE	SOUPAPE	VENTIL	VALVULA
032	129106600	TUBO COMPRESIONE	COMPRESSION FEED PIPE	TUBE DE COMPRESSION	KOMP.ROHR	TUBO DE COMPRESION
037	102161270	COPERTURA VASCHETTE BIANCA STP.4261	DRIP TRAY COVER	COUVERCLE EGOUTTOIR	DECKEL ABTROPFTASSE	CUBIERTA PARA GOTEIO
038	152100620	INGRANAGGIO CONDOTTO	DRIVEN GEAR	ENGRENAGE	ZAHNRAD	ENGRANAJE
038	152125610	INGRANAGGIO CONDOTTO	DRIVEN GEAR	ENGRENAGE	ZAHNRAD	ENGRANAJE
038A	152100610	INGRANAGGIO CONDUTT.	DRIVING GEAR	ENGRENAGE	ZAHNRAD	ENGRANAJE
038A	152125510	INGRANAGGIO CONDUTT.	DRIVING GEAR	ENGRENAGE	ZAHNRAD	ENGRANAJE
039	129515250	CORPO POMPA CON PERNI E BOCCOLA	PUMP BODY	CORPS DE POMPE	PUMPENKOERPER	CUERPO BOMBA
043	118170530	COMANDO PISTONE	PISTON LEVER	COMMANDE PISTON	KOLBENBETAETIGUNG	MANDO PISTON
047	171100520	VITE PRIGIONIERA	STUD	GOUJON FILETE	STIFTSCHRAUBE	TORNILLO PRISIONERO
049	171100410	BOTTONE ARRESTO MENSOLA	CUP HOLDER STUD	GOUJON BLOCAGE CONSOLE	KNOPF KONSOLE	BOTON PARA PARADA REPISA
049	171102200	BOTTONE ARRESTO MENSOLA	CUP HOLDER STUD	GOUJON BLOCAGE CONSOLE	KNOPF KONSOLE	BOTON PARA PARADA REPISA
050	102131220	MENSOLA	SHELF	CONSOLE	AUFLAGE	REPISA FRONTAL
050	102133060	MENSOLA BIANCA	SHELF	CONSOLE	AUFLAGE	REPISA FRONTAL
051	129068280	PARASPRUZZI AISI 304 L=244	SPLASH GUARD	PARAFLAQUE	SPRITZSCHUTZ	SALPICADERO
052	129068010	CURSORE ESTERNO AGO ALIMENTAZIONE	FEED TUBE SLEEVE	CURSEUR AIGUILLE D'ALIMENTATION	LAEUFER	CURSOR
052	129068140	CURSORE ESTERNO AGO ALIMENTAZIONE	FEED TUBE SLEEVE	CURSEUR AIGUILLE D'ALIMENTATION	LAEUFER	CURSOR
052	129068160	CURSORE ESTERNO AGO ALIMENTAZIONE	FEED TUBE SLEEVE	CURSEUR AIGUILLE D'ALIMENTATION	LAEUFER	CURSOR
053	129070020	AGO ALIMENTAZIONE	FEED TUBE	AIGUILLE D'ALIMENTATION	SICKERROHR	AGUJA ALIMENTATION
053	129070200	AGO ALIMENTAZIONE	FEED TUBE	AIGUILLE D'ALIMENTATION	SICKERROHR	AGUJA ALIMENTATION
054	158210740	GUARNIZIONE ANTERIORE	FRONT GASKET	GARNITURE ANT.	ZYLINDER DICHTUNG-VORNE	GUARNICION FRONTAL
054	158210850	GUARNIZIONE ANTERIORE	FRONT GASKET	GARNITURE ANT.	ZYLINDER DICHTUNG VORNE	GUARNICION FRONTAL

UC 711

Pos.	Cod.	Descrizione	Description	Description	Bezeichnung	Descripción
072	193010060	ESTRATTORE OR	O-RING EXTRACTOR	EXTRACTEUR DE JOINTS	O-RING AUSHEBER	EXTRACTOR
095	153130760	PUL.A.P.28 1SPZ 50 37	PUMP SHAFT PULLEY	POULIE ARBRE POMPE	RIEMENSCHLEIBE	POLEA BOMBA
096	155100400	ALBERO POMPA	PUMP SHAFT	ARBRE POMPE	PUMPEWELLE	EJE BOMBA
096	155101240	ALBERO POMPA	PUMP SHAFT	ARBRE POMPE	PUMPEWELLE	EJE BOMBA
097	161155220	MANICOTTO MOZZO POMPA	PUMP HUB COUPLING	MANCHON MOYEU POMPE	MUFFE	MANGUITO
101	157140020	BOCCOLA GALOPP.E MOZZO POMPA	BUSHING	COQUILLE	BUCHSE	CASQUILLO
102	158180060	GHIERA FISSAGGIO MOZZO POMPA	RING NUT	COLLIER DE SERRAGE	SICHERUNGSRING	ABRAZADERA
105	173138030	TAPPO TUBO COMPRESIONE	COMPRESSION FEED PIPE COVER	COUVERCLE TUBE DE COMPRESSION	STOPFEN KOMPRESSIONS ROHR	TAPA PARA TUBO
116	153090200	PUL.GL. 20 76 30	TENSION PULLEY	POULIE GALET	RIEMENSPANNER	RODILLO TENSOR
116	153100100	PUL.GL. 20 76 23	TENSION PULLEY	POULIE GALET	RIEMENSPANNER	RODILLO TENSOR
138	581500115	SPIA LIQUIDO SGN 10S 014-0197	SIGHT GLASS	VOYANT LIQUIDE	SCHAUGLAS	VENTANA LIQUIDO
138	581500117	SPIA LIQUIDO SGN 10S M/F 014-0274	SIGHT GLASS	VOYANT LIQUIDE	SCHAUGLAS	VENTANA LIQUIDO
140	581200820	CORPO VALV.SOLENOIDE EVR 3 032F3233	SOLENOID VALVE BODY	CORPS ELECTROVANNE	KOERPER MAGNETVENTIL	CUERPO ELECTROVALVULA
141	581201042	BOBINA VALV.SOLENODE 24V-50/60HZ	SOLENOID VALVE COIL	BOBINE ELECTROVANNE	SPULE MAGNETVENTIL	BOBINA ELECTROVALVULA
146	581400107	FILTRO DN 163S 023U4156	FILTER DRYER	FILTRE	FILTER	FILTRO
146	581400115	FILTRO DANFOSS DML 163 S - 023Z4842	FILTER DRYER	FILTRE	FILTER	FILTRO
147	584200124	CONDENSATORE W HPCR 1102 TR	WATER CONDENSER	CONDENSATEUR EAU	WASSERKONDENSATOR	CONDENSADOR AGUA
149	158155900	DISTANZIALE	SPACER	ENTRETOISE	DISTANZSTUECK	DISTANCIADOR
149A	158155890	DISTANZIALE	SPACER	ENTRETOISE	DISTANZSTUECK	DISTANCIADOR
168	561132494	C.COPEL.RS97C1E-CAA-201 115/60/1	COMPRESSOR	COMPRESSEUR	KOMPRESSOR	COMPRESOR
168	561132541	C.COPEL.RS97C1E-CAV	COMPRESSOR	COMPRESSEUR	KOMPRESSOR	COMPRESOR

UC 711

Pos.	Cod.	Descrizione	Description	Description	Bezeichnung	Descripción
		208-230/60/1				
170	551090270	M.VENT.EBM A4E300-AA01-56 230/60/1	FAN MOTOR	MOTEUR VENTILATEUR	VENTILATOR MOTOR	MOTOR VENTILADOR
170	551490152	M.VENT.GR DIS.XD4003 115/60/1	FAN MOTOR	MOTEUR VENTILATEUR	VENTILATOR MOTOR	MOTOR VENTILADOR
170	551610171	M.FASCO D480 115/208/50/60/1	FAN MOTOR	MOTEUR VENTILATEUR	VENTILATOR MOTOR	MOTOR VENTILADOR
171	574100325	TRASF.75VA TA-1-81142 STANDARD	TRANSFORMER	TRANSFORMATEUR	TRANSFORMATOR	TRANSFORMADOR
171A	574100301	TRASF.CORRENTE 5NR/601	TRANSFORMER	TRANSFORMATEUR	TRANSFORMATOR	TRANSFORMADOR
171B	574100304	TRASF.1\$ 30VA 24V/10,5-0-10,5/0-12	TRANSFORMER	TRANSFORMATEUR	TRANSFORMATOR	TRANSFORMADOR
171B	574100312	TRASF.MONOF.15,5VA 24V/0-11V	TRANSFORMER	TRANSFORMATEUR	TRANSFORMATOR	TRANSFORMADOR
173	571100258	CONTATTORE B16-40-00 NORME "UL" 24V/60	CONTACTOR	CONTACTEUR	KONTAKTOR SCHUTZ	CONTACTOR
173A	571100228	CONTATTORE A12-30-10 24V 50/60Hz	CONTACTOR	CONTACTEUR	KONTAKTOR SCHUTZ	CONTACTOR
176	587100125	VENTOLA VIC H 300/36 R-1/2"X20 OP	FAN BLADE MOTOR	HELICE MOTEUR VENTILATEUR	VENTILATORFLUEGEL	VENTILADOR
177	583100148	PRESS.DANFOSS CC20W 29/20 060F1130	PRESSURE SWITCH	PRESSOSTAT	DRUCKWAECHTER	PRESOSTATO
178	581101024	VALV.TERMOSTATICA TEY2 MOP 30	THERMOSTATIC VALVE	DETENDEUR THERMOSTATIQUE	THERMVENTIL	VALVULA TERMOSTATICA
178	581101054	VALV.TERMOSTATICA TES2 MOP 30 068Z3438	THERMOSTATIC VALVE	DETENDEUR THERMOSTATIQUE	THERMVENTIL	VALVULA TERMOSTATICA
180A	571200548	RELE' FINDER 40.52	RELAY	RELAIS	RELAIS	RELE'
181	107109010	STAFFA OSCILLANTE GALOPPINO	TENSION PULLEY BRACKET	ETRIER	BUEGEL	ABRAZADERA
182	178150150	MOLLA T A 1,2 12 130 3,78	TENSION PULLEY SPRING	RESSORT	FEDER	RESORTE
186	192107440	DECALCOMANIA FRONTALE	FRONT PANEL DECAL	DECALC. FRONTALE	ABZIEHBILD	CALCOMANIA
186A	192107870	DECALC.PULSANTIERA UC	PUSH BUTTON DECAL	DECALC. CLAVIER	ABZIEHBILD	CALCOMANIA

UC 711

Pos.	Cod.	Descrizione	Description	Description	Bezeichnung	Descripción
195	153110420	PUL.C.P. 47 1Z 120 18	PUMP DRIVING PULLEY	POULIE CONDUCT. POMPE	RIEMENSCHLEIBE	POLEA COND. BOMBA
200	573810042	MICROPROCESS. ST62T25 VER.UC46A.HEX	MICROPROCESSOR	MICROPROCESSEUR	MIKROPROZESSOR	MICROPROCESADOR
202	129035230	COPERCHIO POMPA R	PUMP COVER	COUVERCLE POMPE	PUMPENDECKEL	TAPA BOMBA
202	129038120	COPERCHIO POMPA	PUMP COVER	COUVERCLE POMPE	PUMPENDECKEL	TAPA BOMBA
206	178100870	MOLLA C I 1,5 15 42 5,24	PUMP SPRING	RESSORT POMPE	FEDER	RESORTE BOMBA
207	129050380	TUBO COLLEGAMENTO	PRESSURE TUBE CONNECTOR	RACCORD ALIMENTATION	ANSCHLUSS	RACOR ALIMENTACION
208	129000980	POMPA COMPLETA	PUMP	POMPE COMPLETE	PUMPE KPL.	BOMBA
208	129002110	POMPA R COMPLETA	PUMP	POMPE COMPLETE	PUMPE KPL.	BOMBA
214	171101020	VITE REGOLAZIONE COMANDO PISTONE	ADJUSTMENT SCREW	VIS	SCHRAUBE	TORNILLO
243	177120190	PREMISTOPPA CORPO POMPA	PUMP BODY SEAL	PRESSE ETOUPE CORPS DE POMPE	WELLEDICHTUNG PUMPENKOERPER	PRENSAESTOPA CUERPO BOMBA
245	177110290	VALVOLA POMPA R-TP	PUMP VALVE	SOUPAPE POMPE	PUMPENVENTIL	VALVULA BOMBA
248	157130020	BOCCOLA CORPO POMPA	PUMP BUSHING	COQUILLE CORPS DE POMPE	BUCHSE	CASQUILLO
250	102149330	COPERCHIO VASCA	TANK COVER	COUVERCLE CUVE	BEHAELTERDECKEL	TAPA TANQUE
271	129045490	REGOLATORE POMPA	FEEDING PUMP TUBE	REGULATEUR DE POMPE	PUMPENREGLER	REGULADOR BOMBA
271	129045650	REGOLATORE POMPA	FEEDING PUMP TUBE	REGULATEUR DE POMPE	PUMPENREGLER	REGULADOR BOMBA
275	129020040	RAZZA TRASCINAMENTO	PULLEY DRIVE KEY	TRIANGLE D'ENTRAINEM.	WELLENKREUZ	ARRASTRE
430	141115580	ALETTA RASCHIANTE	SCRAPER BLADE	AILETTE AGITATEUR	RUEHRWERKSCHABER	ALETA AGITADOR
430	141116130	ALETTA RASCHIANTE	SCRAPER BLADE	AILETTE AGITATEUR	RUEHRWERKSCHABER	ALETA AGITADOR
475	599900172	VALIGETTA CORREDO	ACCESSORIES	ACCESSOIRES	ZUBEHOERTEILE	ACCESORIOS
500	558420074	RIDUTTORE TR24/S 1:11,5 GAVAGNI	GEAR BOX	REDUCTEUR	GETRIEBE	REDUCTOR
536	581101073	VALVOLA AUTOMATICA AMV 3,2 BAR	AUTOMATIC VALVE	SOUPAPE AUTOMATIQUE	AUT.EINSPRITZVENTIL	VALVULA AUTOMATICA
537	581110601	ORIFICIO N° 01 068-2010	ORIFICE	ORIFICE	EINSPRITZDUESE	ORIFICIO
537	581110611	ORIFICIO N° 01 068-2077	ORIFICE	ORIFICE	EINSPRITZDUESE	ORIFICIO

UC 711

Pos.	Cod.	Descrizione	Description	Description	Bezeichnung	Descripción
537B	581110624	ORIFICIO VALVOLA AUTOMATICA AMV N°1	ORIFICE	ORIFICE	EINSPRITZDUESE	ORIFICIO
550	155162000	PERNO TRAZIONE INGRANAGGIO	GEAR SHAFT BUSHING	AXE TRACTION ENGRENAGE	STIFT	PERNO TRACCION ENGRANAJE
575	573800544	PULSANTIERA MOD.511-931-711-1131 30CM	PUSH-BUTTON PANEL	CLAVIER	TASTATUR	CAJA DE PULSADORES
582	526300158	CALETTATORE SIT-LOCK CAL 1 F20/47	PULLEY FASTENER	POULIE DE CENTRAGE	HALTERUNG SCHEIBE	POLEA CENTRAJE
600	558420771	MR.MTR 24/S 1:11,5 115/60/1	REDUCTION GEAR BOX	MOTO-REDUCTEUR	MOTORGETRIEBE	MOTORREDUCTOR
600	558421070	MR.MTR 24/S 1:11,5 208-230/60/1	REDUCTION GEAR BOX	MOTO-REDUCTEUR	MOTORGETRIEBE	MOTORREDUCTOR
601	573800118	SCHEDA EL.SFT DGT 4 RELE + BEEP	ELECTRONIC BOARD	CARTE ELECTRONIQUE	ELEKTRONISCHE KARTE	TARJETA ELECTRONICA
605	573700158	CENTRALINA UC-BAR- BAR YO	ELECTRONIC BOARD	CENTRALE ELECTRONIQUE	ELEKTRONISCHE STEUERKASTE	CENTRALITA ELECTRONICA
605A	573700184	CENTRALINA.LABO+SFT DGT TIME KEEPER	ELECTRONIC BOARD	CENTRALE ELECTRONIQUE	ELEKTRONISCHE STEUERKASTE	CENTRALITA ELECTRONICA
607	572910101	SONDA TS TIPO P09251 C.SILICONE	PROBE	SONDE	FUEHLER	SONDA
607A	572910103	SONDA NTC 015W000	PROBE	SONDE	FUEHLER	SONDA
630	155146100	ASTA 1 LIVELLO ELETTRONICA COMPLETA	ELECTRONIC CONTROL ROD LEVER	JAUGE NIVEAU ELECTRONIQUE	FUEHLER NIVEAU	VARILLA NIVEL ELECTRONICA
744	177230150	GOMMINO 097500001	RUBBER STOPPER	GOMME	GUMMIPUFFER	ALMOHADILLA DE CAUCHO
772A	599100115	SCOVOLINO D. 15x350	FINE BRUSH	ECOUVILLON	REINIGUNGSBUERSTE	CEPILLO
772B	599100120	SCOVOLINO D. 20x450	FINE BRUSH	ECOUVILLON	REINIGUNGSBUERSTE	CEPILLO
772C	599100140	SCOVOLINO D. 40x400	FINE BRUSH	ECOUVILLON	REINIGUNGSBUERSTE	CEPILLO
790A	531005518	CINGHIA 9,7x 8 787 XPZ	BELT	COURROIE	RIEMEN	CORREA
830	743000111	TUBETTO GELILUBE 3540180	FOOD GRADE LUBRICANT	TUBE DE VASELINE	GELILUBE TUBE	TUBO GELILUBE
840	178600160	SPATOLA PULIZIA	SPATULA	SPATULE	SPATEL	PALETA

UC 711

Pos.	Cod.	Descrizione	Description	Description	Bezeichnung	Descripción
850	193200660	SERIE ANELLI OR	O-RING SET	JOINTS OR	OR RING	JUNTAS OR
903	521111306	CUSCINETTO RIV 6005-2RS1	BEARING	ROULEMENT	KUGELLAGER	RODAMIENTO
912	551720771	M.LEES.C6K17DK19A 115/60/1	MOTOR FOR GEAR BOX	MOTEUR POUR REDUCTEUR	MOTOR FUER MOTORGETRIEBE	MOTOR MOTORREDUCTOR
912	551721073	M.LEES.C6K17DC44A 208-230/60/1	MOTOR FOR GEAR BOX	MOTEUR POUR REDUCTEUR	MOTOR FUER MOTORGETRIEBE	MOTOR MOTORREDUCTOR
920A	572910173	SENSORE PROSSIMITA' XU5P18NP340	PROXIMITY SENSOR	DETECTUER DE PROXIMITE	ANNAEHERUNG FUEHLER	DETECTOR DE PROXIMIDAD
921	572910140	SONDA DRY REED N.O. 29	SAFETY SWITCH	SONDE DRY REED	REEDFUEHLER	SONDA DRY REED
921	572910148	SONDA DRY REED STEM A061 AB 2P	SAFETY SWITCH	SONDE DRY REED	REEDFUEHLER	SONDA DRY REED
990	573810104	FLASH EPROM VER.SOFT19.BIN	EPROM	EPROM	EPROM	EPROM
990	573810110	FLASH EPROM VER.SOFT22.BIN	EPROM	EPROM	EPROM	EPROM
990	573810129	FLASH EPROM VER.SOFT32.BIN	EPROM	EPROM	EPROM	EPROM
1116	541000116	OR 1,78 15,6 NB 70 2062	O-RING	JOINT OR	OR-DICHTUNG	JUNTA OR
1117	541000117	OR 2,62 13,1 NB 70 117	O-RING	JOINT OR	OR-DICHTUNG	JUNTA OR
1126	541000126	OR 2,62 13,95 NB 70 3056	O-RING	JOINT OR	OR-DICHTUNG	JUNTA OR
1153	541000153	OR 3,53 26,58 NB 70 4106	O-RING	JOINT OR	OR-DICHTUNG	JUNTA OR
1178	541000178	OR 3,53 73,03 NB 40 176	O-RING	JOINT OR	OR-DICHTUNG	JUNTA OR
1188	541000188	OR 5,34 91,44 NB 40 6362	O-RING	JOINT OR	OR-DICHTUNG	JUNTA OR
1197	541000197	OR 3 6,5 NB 70 70 -120	O-RING	JOINT OR	OR-DICHTUNG	JUNTA OR
1285	541000285	OR 3,53 4,34 NB 70 0462	O-RING	JOINT OR	OR-DICHTUNG	JUNTA OR

PARTS IDENTIFICATION

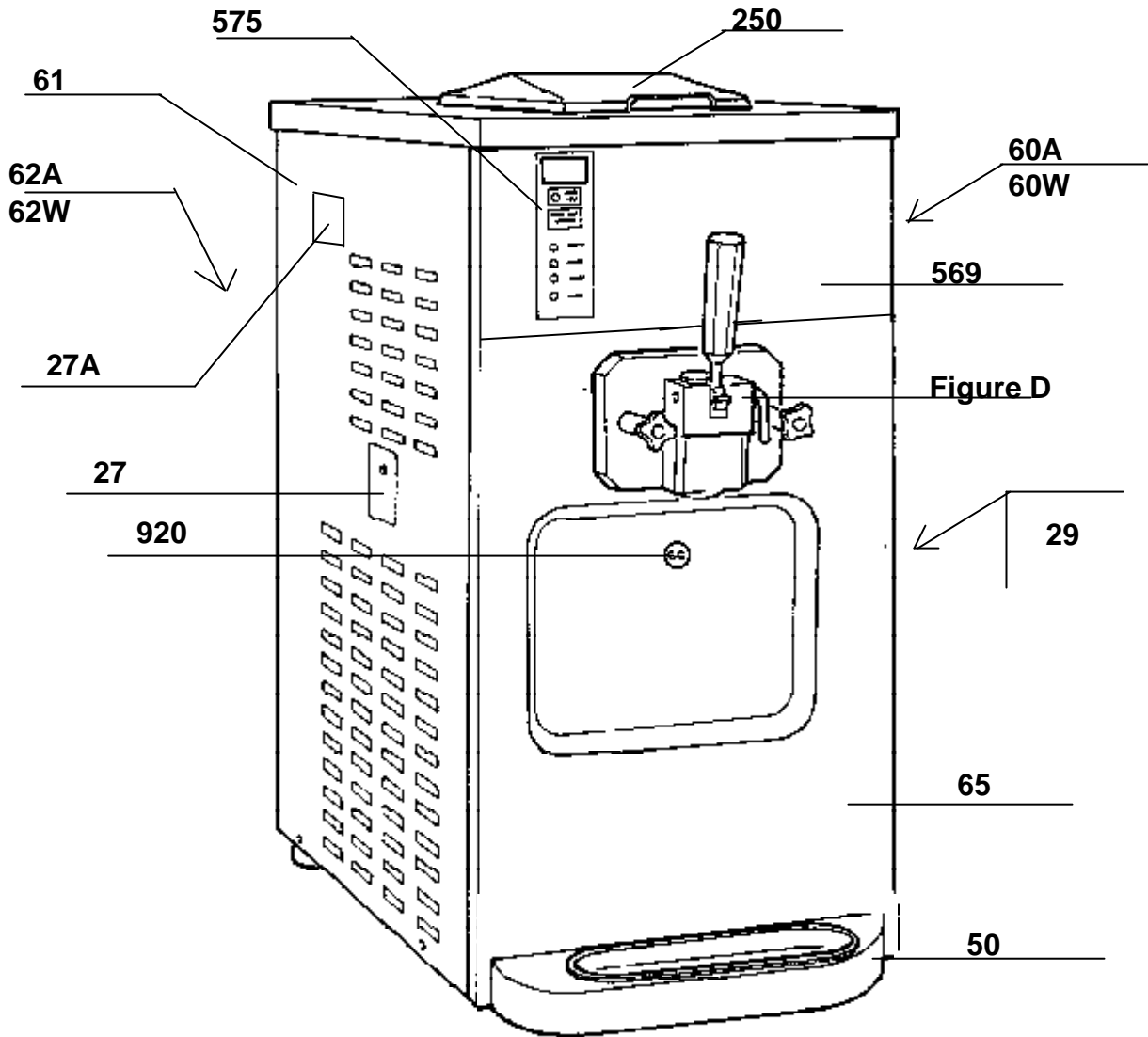


Figure A

PARTS IDENTIFICATION

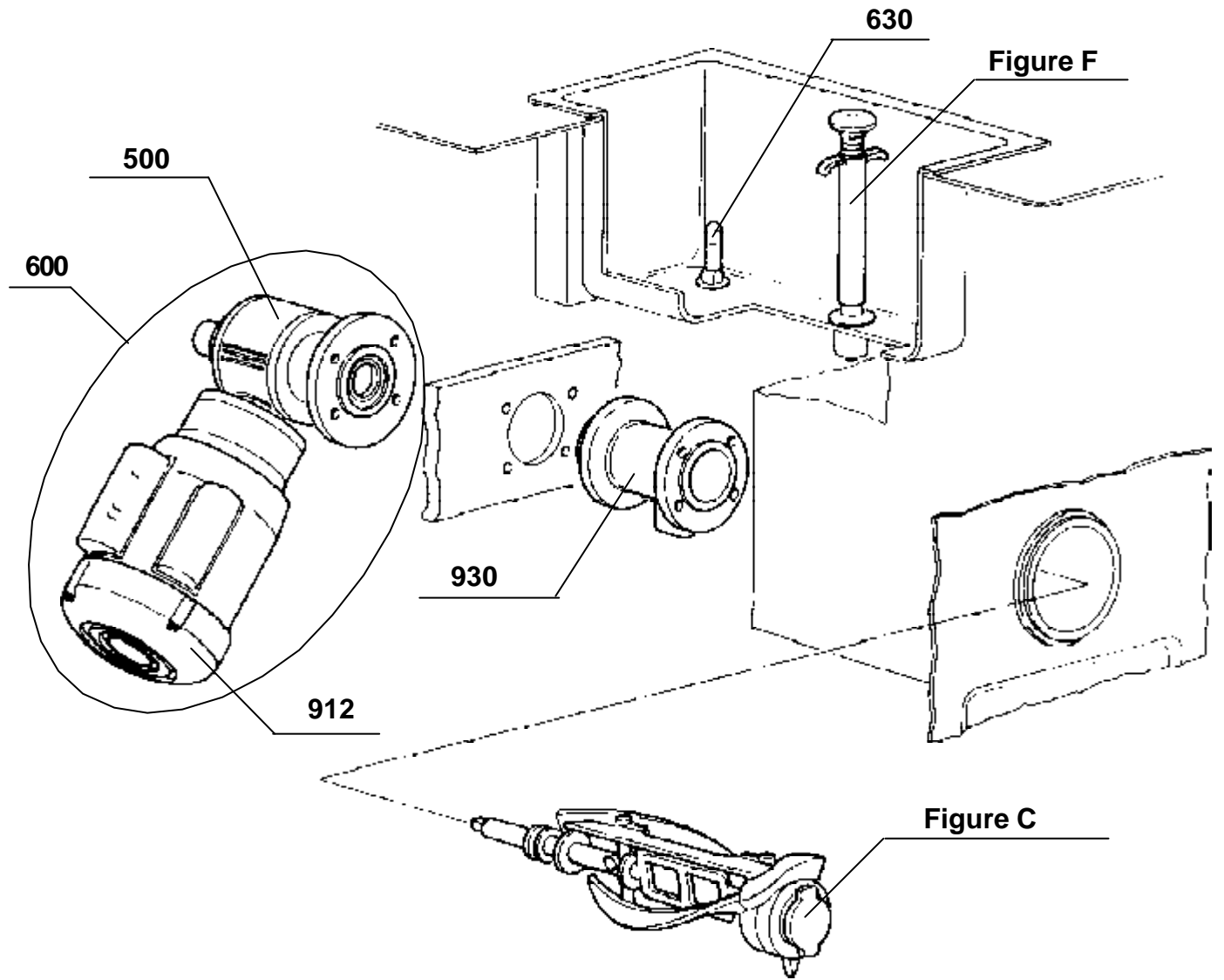


Figure B

PARTS IDENTIFICATION

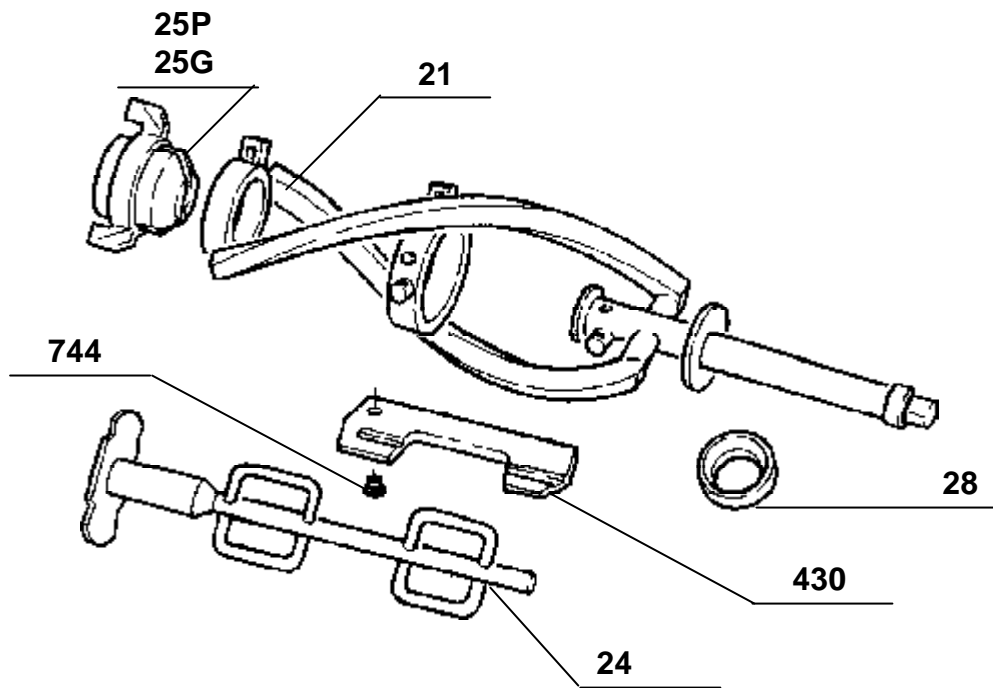


Figure C

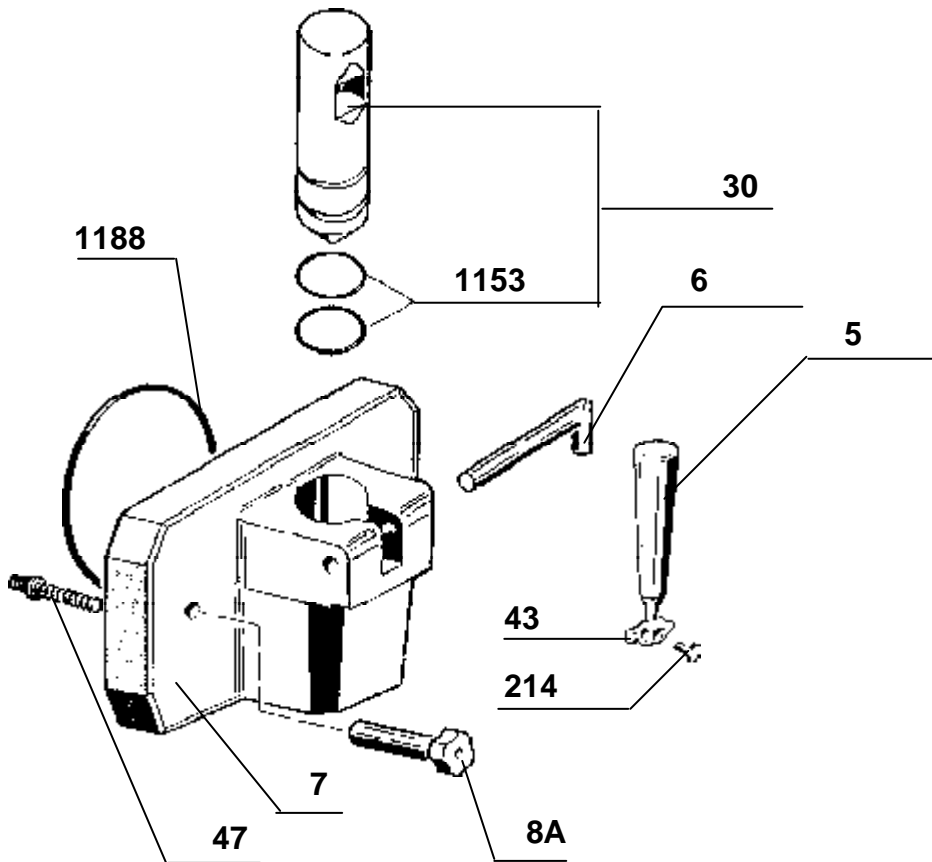


Figure D

PARTS IDENTIFICATION

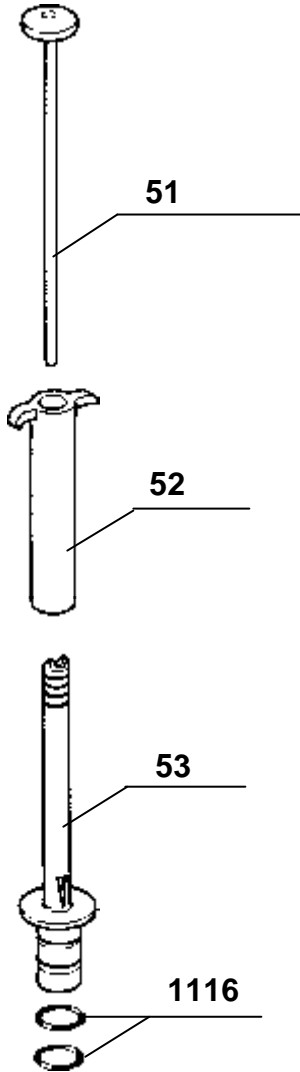


Figure E

PARTS IDENTIFICATION

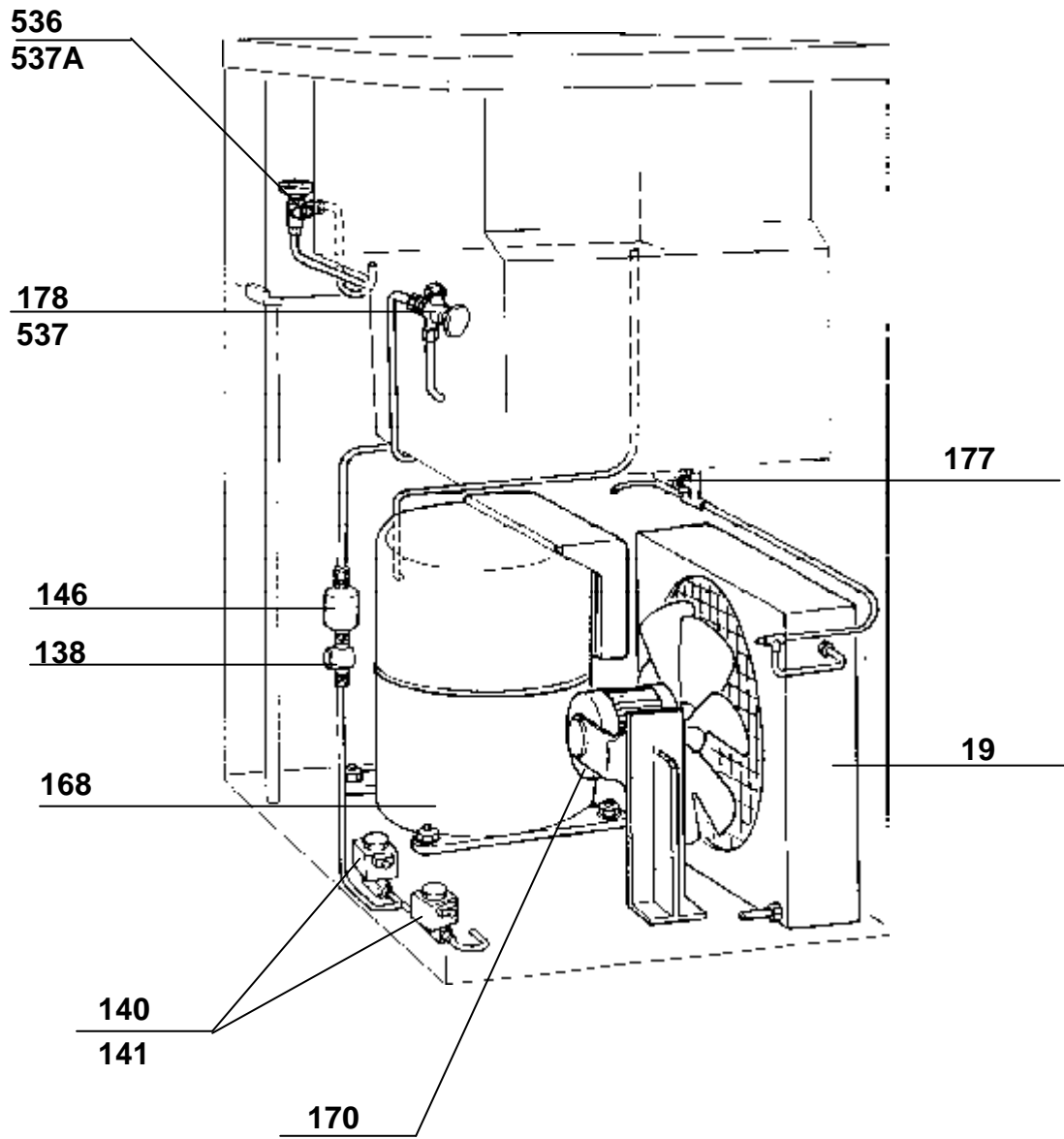


Figure F

PARTS IDENTIFICATION

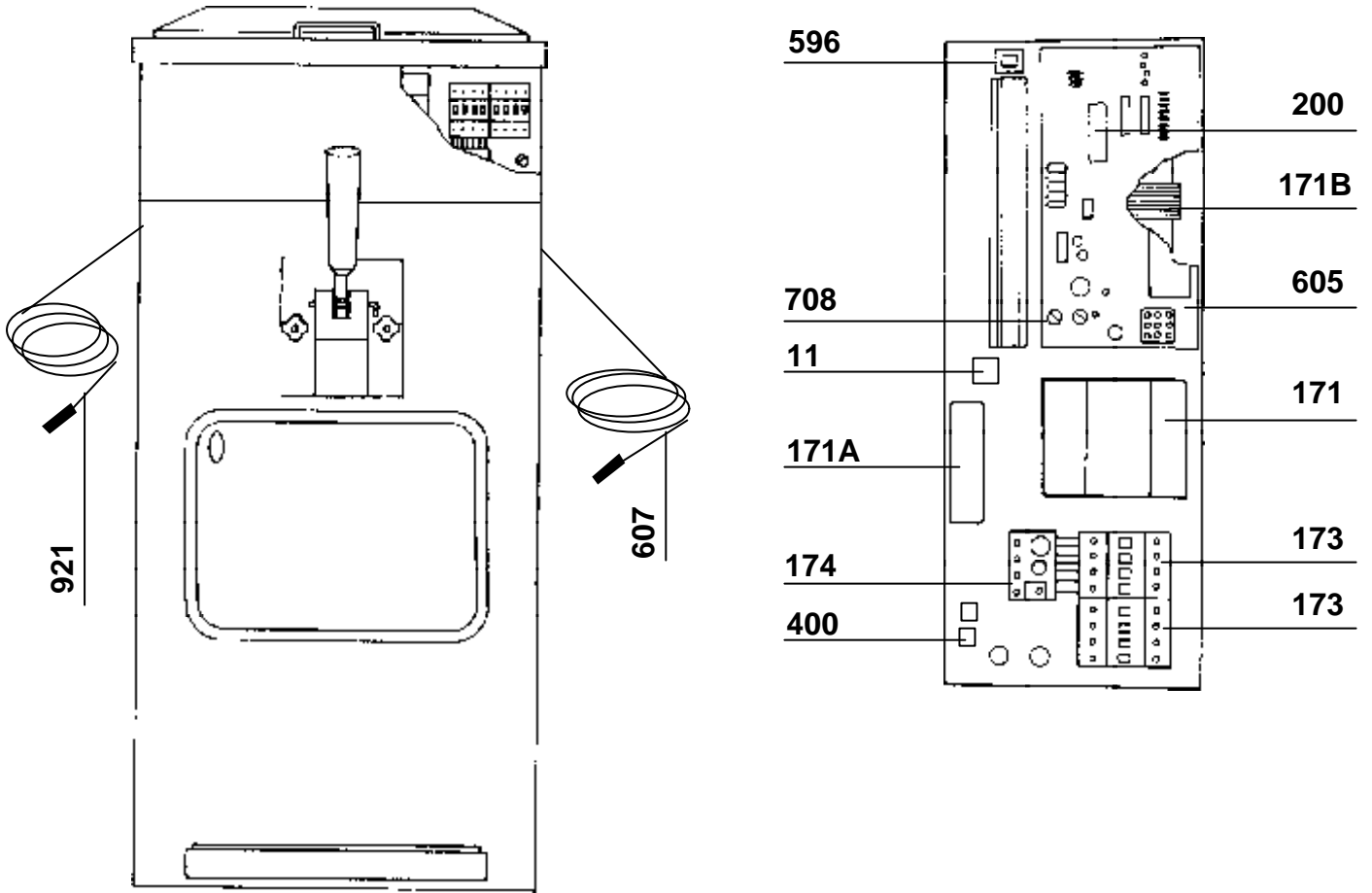


Figure G

PARTS IDENTIFICATION

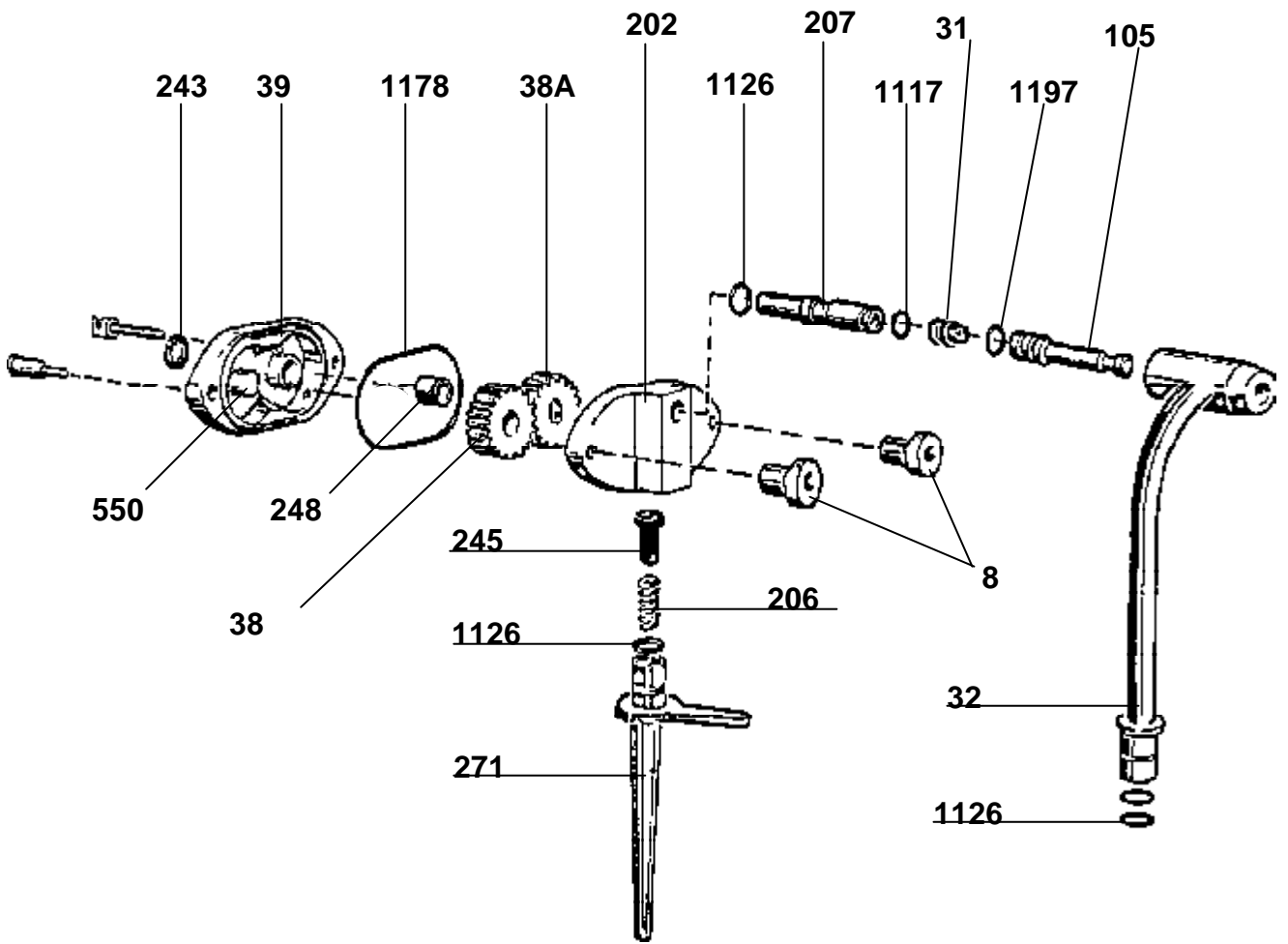


Figure H

PARTS IDENTIFICATION

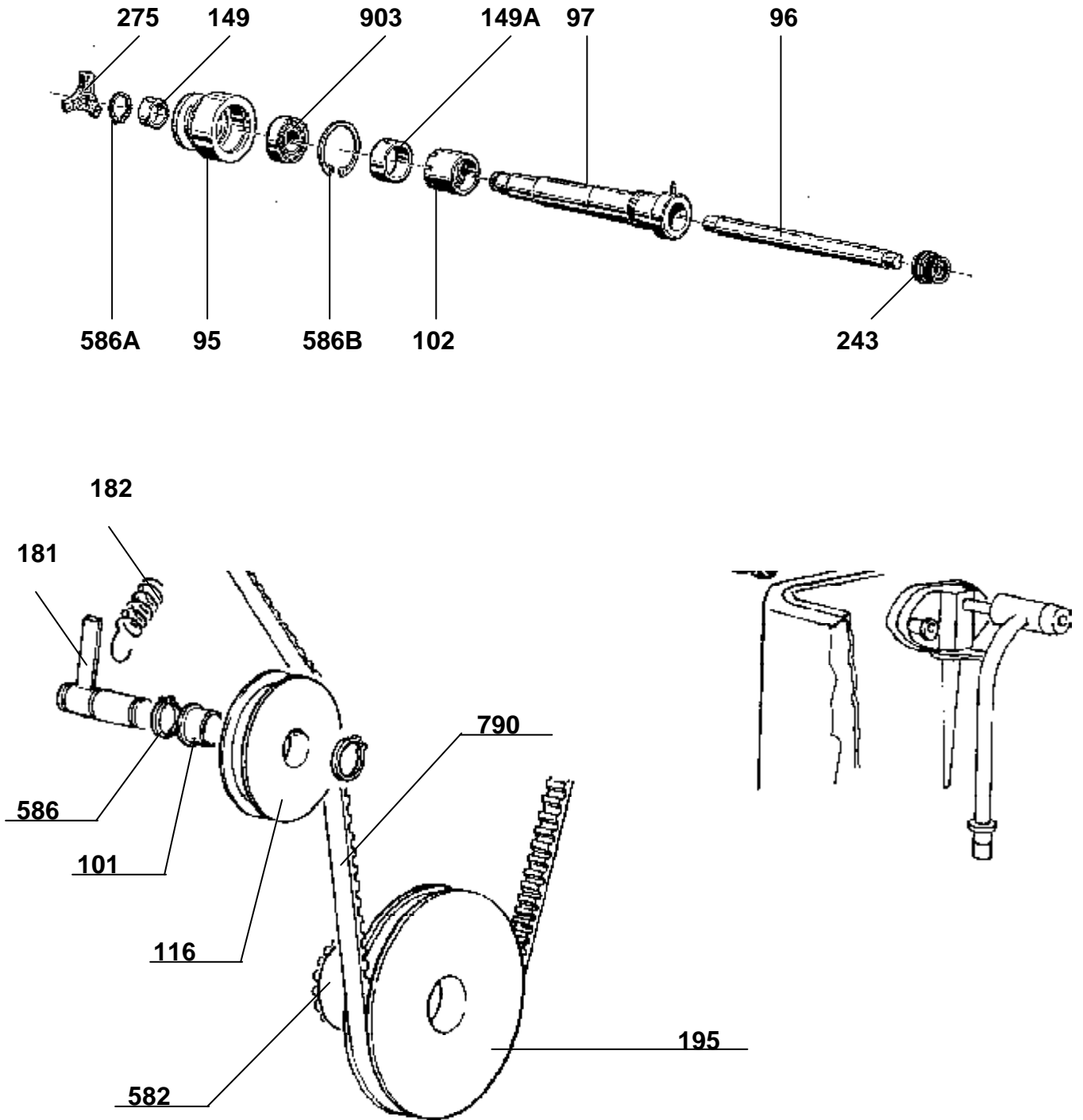


Figure I

PARTS IDENTIFICATION for WATER CONDENSER UNIT

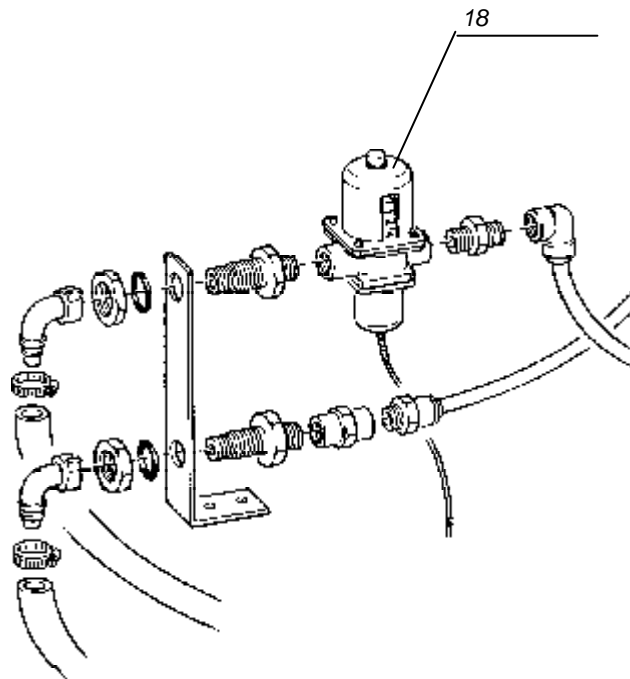
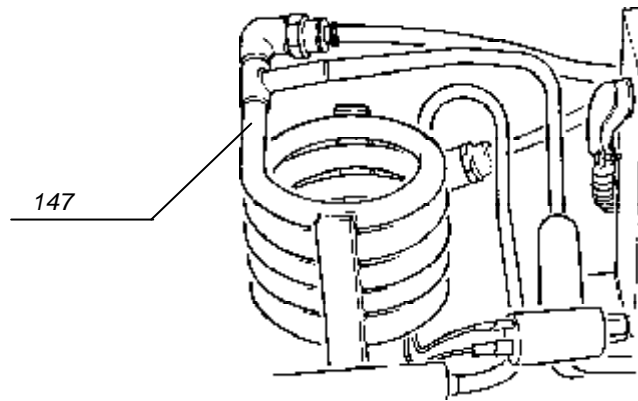


Figure L