

Supershow

Supershow is the only gelato cabinet providing a 3D visibility thanks to its transparent structure and containers. The front lighting exalts further the ice-cream display. Ventilated refrigeration with horizontal finned evaporator and double airflow for a perfect uniformity of temperature. Automatic reverse defrosting cycle. One piece body with ecological polyurethane insulation (HCFC & HFC free), foamed with CO₂ - 60 mm thick. Display base and service top in bright stainless steel, rear panel in painted sheet with epoxy powder, external base in painted sheet. Tempered glasses. Tilt-down front glass opening. Profile, complete light heading painted with chromium, LED lighting. Main structure and basement in carbon steel painted with epoxy powder, adjustable feet. Control board on the operator side, electronic board and digital thermometer inside the tank. Side panels in bright stainless steel. Wheel kit for easy handling.



ENERGY SAVING

Led + EC Fan motor



INSTALLATION

- Plug-in
- Special order for remote unit



TEMPERATURE CONTROL

-4 / +35.6 °F



DEFROST

Reverse cycle



CLIMATIC CLASS

4 [86 °F / 55% R.H.]



Standard model includes:

Operator side closure with polycarbonate sliding doors

Adjustable feet







Supershow

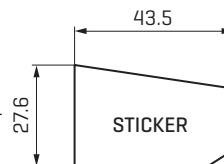
Model	Condensing unit included			Remote condensing unit included up to 787,4 [inch]		Polycarbonate containers	
	Air [STANDARD]	Water [SPECIAL ORDER]	Air-Water [SPECIAL ORDER]	Air	Air-Water [SPECIAL ORDER]	5 Lt 14.17 x 6.49 x 4.72h [inch] 	5 Lt 14.17 x 9.84 x 3.14h [inch] 
120	•	•	•	•	•	12	8
155 *	•	•	•	•	•	16	10
170	H117 H135	•	•	•	•	18	12
190 *		•	•	•	•	•	20
220	•	•	•	•	•	24	16

* Special order.

Available Colours

SIDE PANEL [STANDARD]	FRONT PANEL		
Stainless Steel 	Rosso lacca cinese 	Stainless Steel 	Wengè 

Customizable area [inch]



Model	120	45.3 x 14.5H
Model	155	58.3 x 14.5H
Model	170	64.8 x 14.5H
Model	190	71.3 x 14.5H
Model	220	84.3 x 14.5H

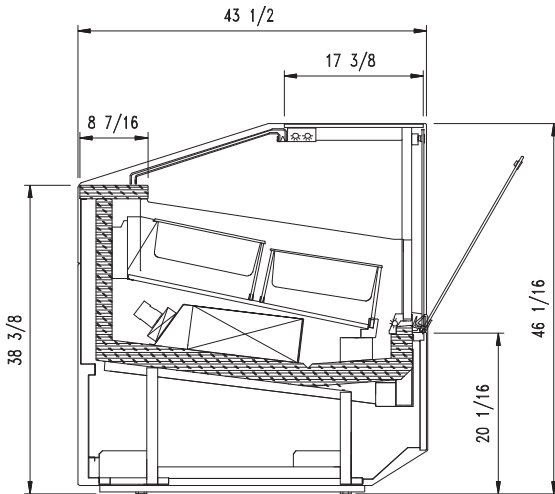
In the interest of continual product improvements, ISA S.p.A. reserves the right to make changes in technical specifications and accessories at any moment and without prior notice

Supershow

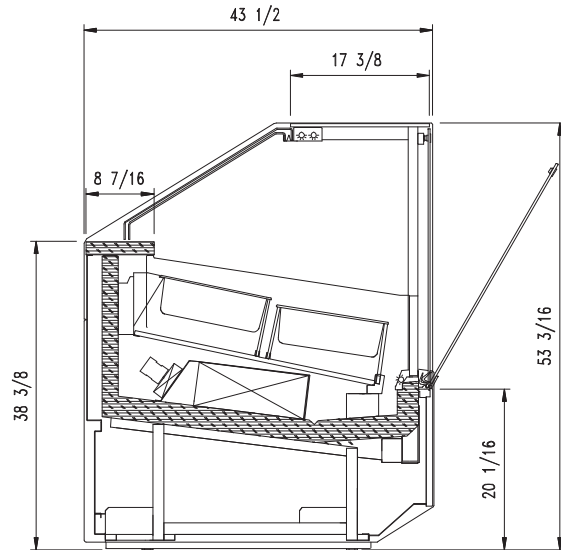
Section

120-155-170

H117



H135



				120	155	170		
External dimensions	LxDxH	inch	H117	46 2/3 x 43 1/2 x 46 1/16	59 2/3 x 43 1/2 x 46 1/16	66 1/3 x 43 1/2 x 46 1/16		
			H135	46 2/3 x 43 1/2 x 53 3/16	59 2/3 x 43 1/2 x 53 3/16	66 1/3 x 43 1/2 x 53 3/16		
Capacity	Gross / Net	liters	H117	685 / 147	901 / 193	1009 / 216		
			H135	824 / 147	1083 / 193	1212 / 216		
Net weight				lb	H117	706	811	902
					H135	730	842	924
Refrigeration			Ventilated					
Refrigerant			R404A					
Climatic class			4					
Operating conditions	°F / %RH		86 / 55					
Cabinet capacity range	°F		-4 / +35.6					
Product temperature	°F		3.2 / 6.8					
Compressor	Type / Q.ty		Semi Hermetic / 1					
Defrost			Reverse cycle					
Power supply	V / Hz / Ph		220 / 60 / 3 pole - 4 wire grounding					
Electrical input	Standard	A	4	7	8			
	Defrost	A	9	11	11			

Technical sheet about models with condensing unit included with air cooled

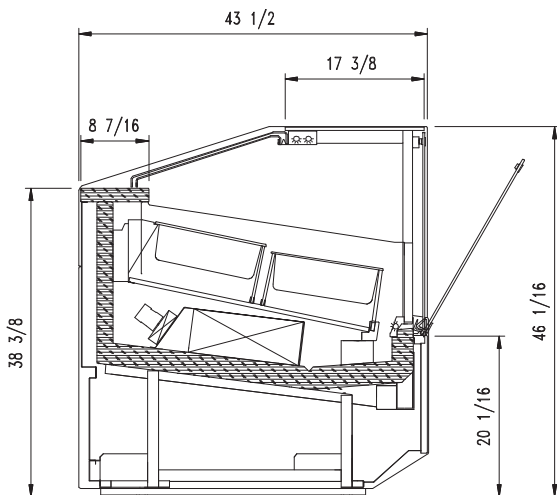
In the interest of continual product improvements, ISA S.p.A. reserves the right to make changes in technical specifications and accessories at any moment and without prior notice

Supershow

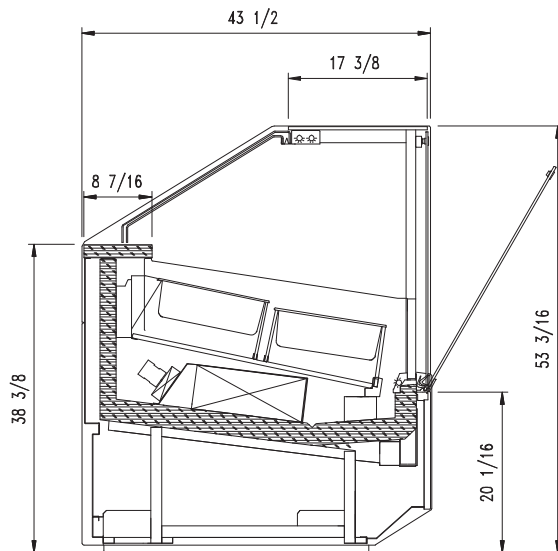
Section

190-220-AE45

H117



H135



			190	220
External dimensions	LxDxH	inch		
		H117	72 2/3 x 43 1/2 x 46 1/16	85 1/16 x 43 1/2 x 46 1/16
		H135	72 2/3 x 43 1/2 x 53 3/16	85 1/16 x 43 1/2 x 53 3/16
Capacity	Gross / Net	liters		
		H117	1116 / 239	1332 / 285
		H135	1341 / 239	1600 / 285
Net weight		lb		
	H117	1.012	1.124	
		H135	1.031	1.147
Refrigeration			Ventilated	
Refrigerant			R404A	
Climatic class			4	
Operating conditions		°F / %RH	86 / 55	
Cabinet capacity range		°F	-4 / +35.6	
Product temperature		°F	3.2 / 6.8	
Compressor	Type / Q.ty		Semi Hermetic / 1	
Defrost			Reverse cycle	
Power supply		V / Hz / Ph	220 / 60 / 3 pole - 4 wire grounding	
Electrical input	Standard	A	11	16
	Defrost	A	13	16

Technical sheet about models with condensing unit included with air cooled

In the interest of continual product improvements, ISA S.p.A. reserves the right to make changes in technical specifications and accessories at any moment and without prior notice

Supershow

Accessories

Grey cone holder

Cone holder complete of toppings container

Console scoop washer with water tap RIGHT

Console scoop washer with shower selfrolling RIGHT

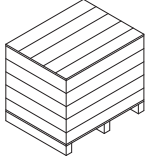
Flavours tags kit for container (Q.ty 12)

Metacrilate ice-cream spoon

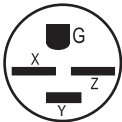
Ice lolly container - 9.8 x 14.1 x 1.7h (inch)

Supershow

Packaging

Model	STANDARD (Wooden cage)				
	H117		H135		
	LxDxH (inch)	Gross weight (lb)	LxDxH (inch)	Gross weight (lb)	
120	54.9 x 54.1 x 62.9	727	54.9 x 54.1 x 62.9	762	
155	74.4 x 54.1 x 62.9	871	74.4 x 54.1 x 62.9	893	
170	74.4 x 54.1 x 62.9	934	74.4 x 54.1 x 62.9	956	
190	80.9 x 54.1 x 62.9	1.011	80.9 x 54.1 x 62.9	1.033	
220	93.9 x 54.1 x 62.9	1.157	93.9 x 54.1 x 62.9	1.179	

Nema plug

15-30P	
120 - 155	
170 - 190 - 220	

Certifications

